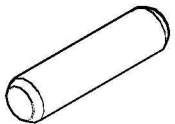
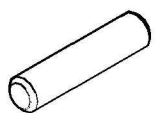
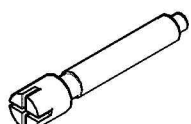
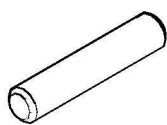
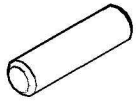

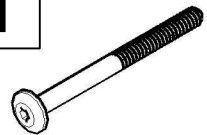


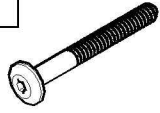
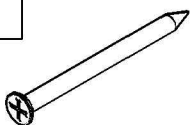
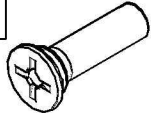
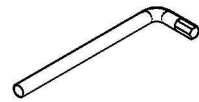
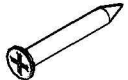

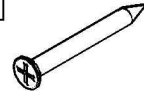
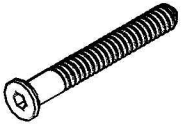
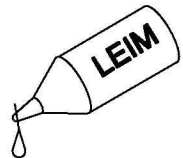
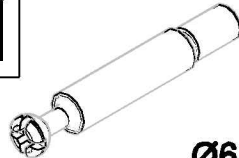

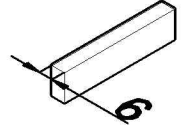
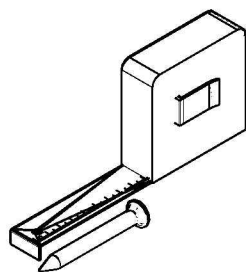
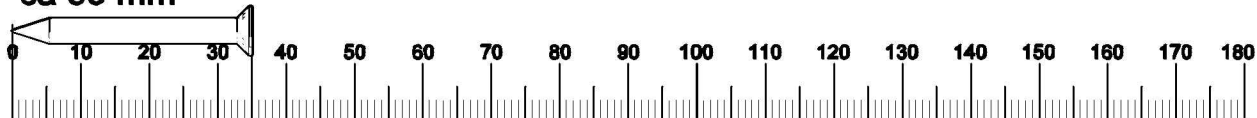
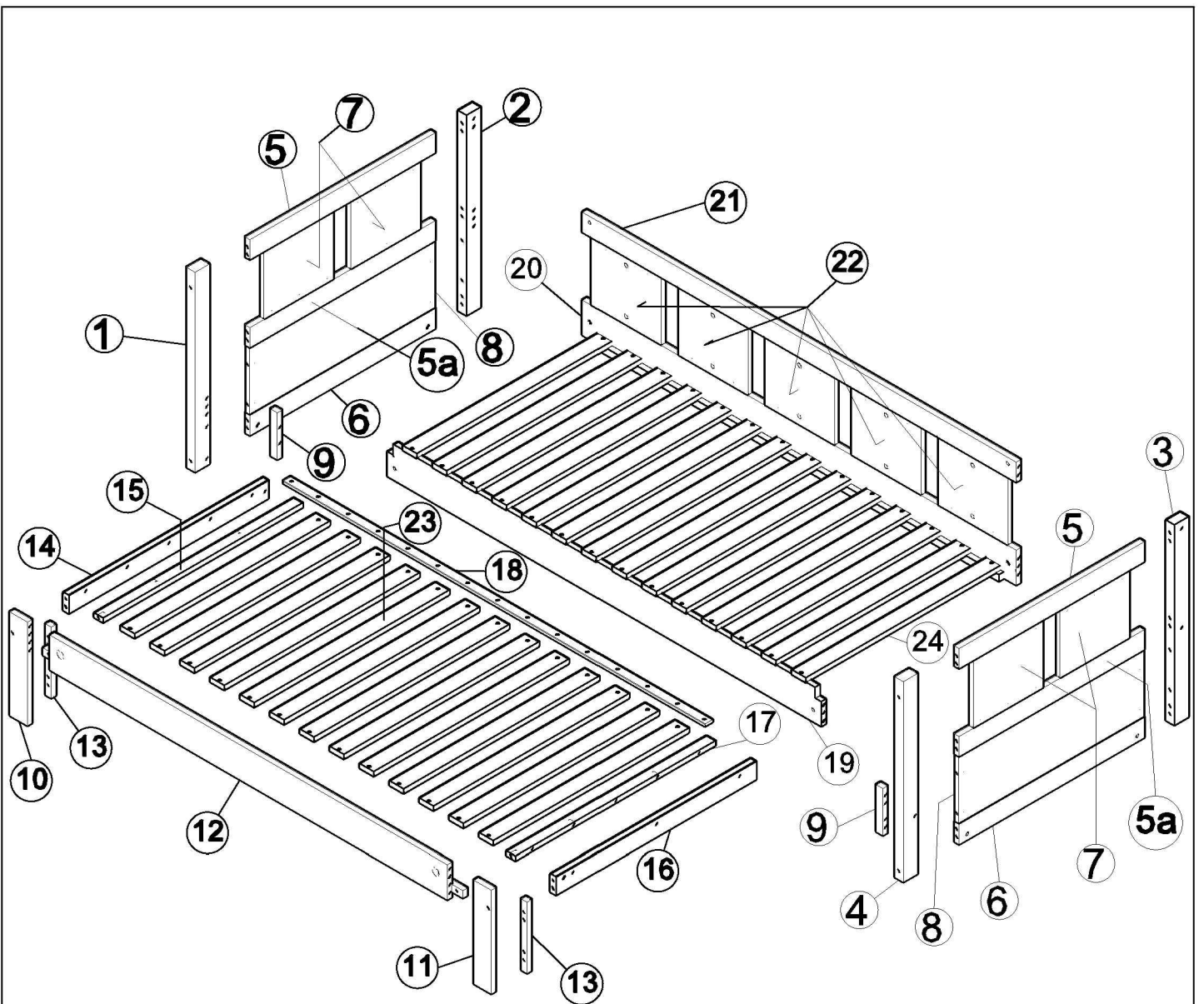


K4  x 12 Ø10 x 40	K1  x 60 Ø8 X 35	J4  x 2 M6 X 50
K3  x 22 Ø8 X 40	K2  x 8 Ø8 x 30	B4  x 2 Ø30
J21  x 6 M6 X 80	J12  x 8 M6 x 110	H4  x 16 Ø10/M6 x 13
J7  x 2 M6 X 60	S7  x4 Ø3,5 x 50	E2  x13 Ø6,3 x 24
F2  x 1 HEX 4 mm	S5  x41 Ø3,5 x 30	S20  x2 Ø3,5 x 20
S6  x6 Ø3,5 x 35	C4  x6 Ø7 x 50	Q1  x1 LEIM
M1  x10 Ø6,3 x 30	M2  x10 Ø15	X1  x2 50x20x6

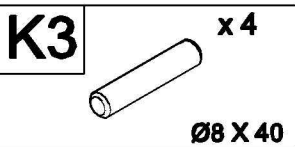
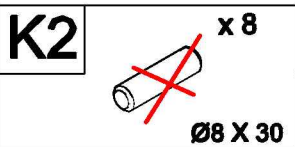
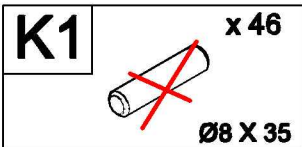
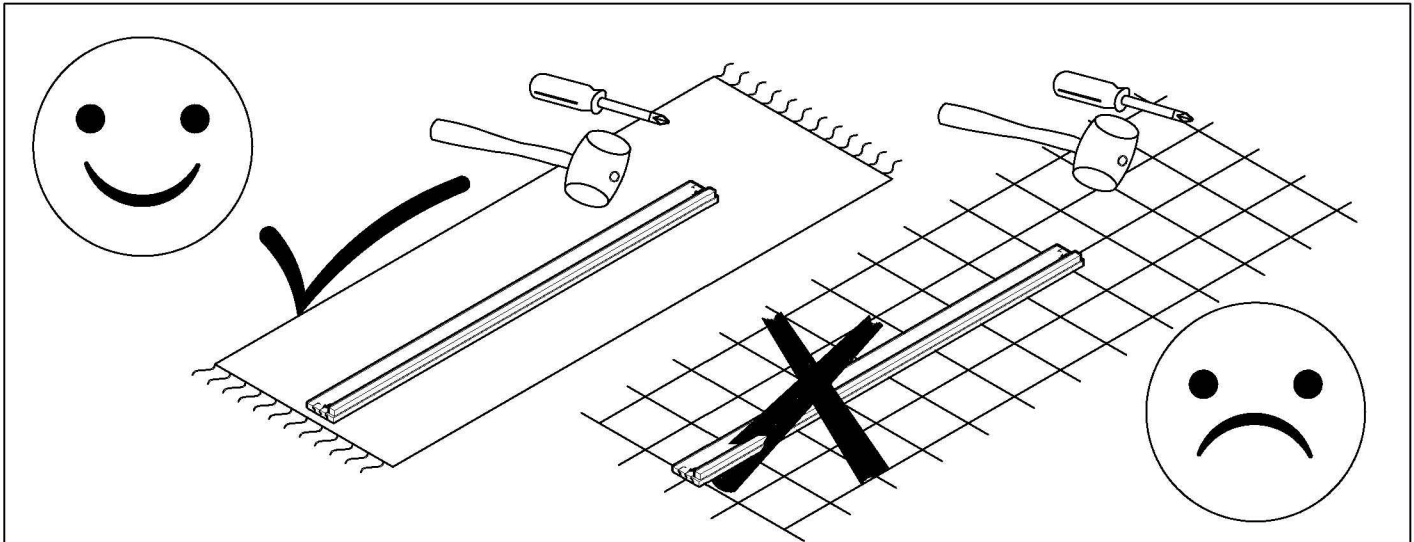


ca 35 mm

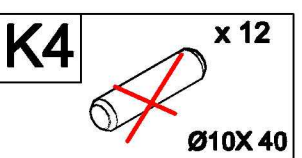
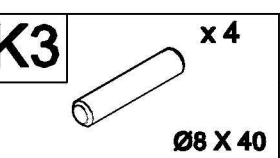
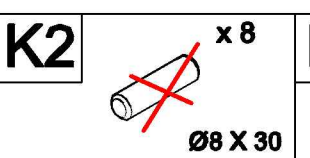
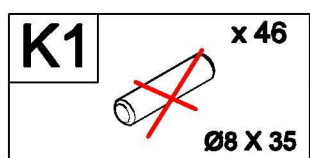
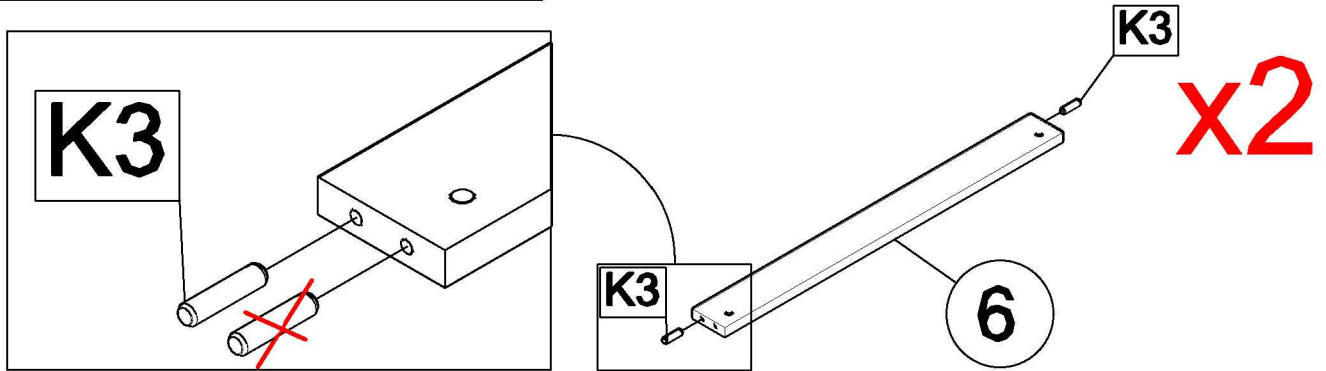
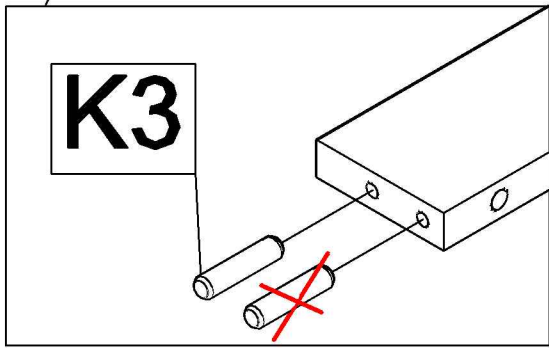
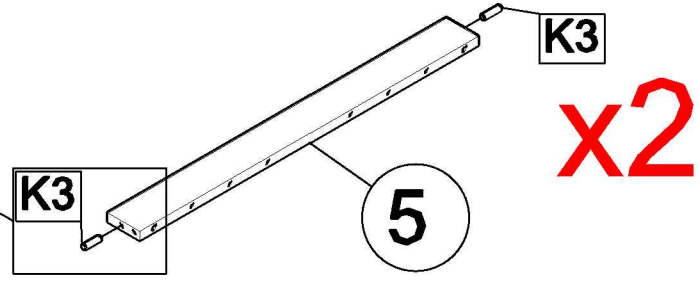
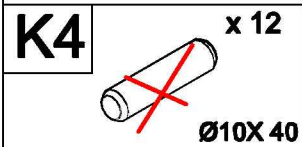


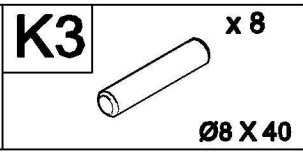
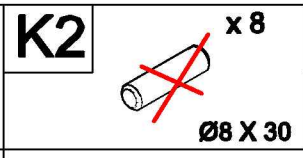
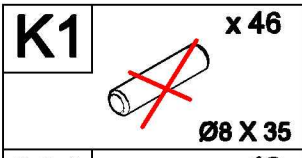


No	Σ	L X B X T(MM)	✓	No	Σ	L X B X T(MM)	✓
1	1	800 X 65 X 38		12	1	1834 X 140 X 20	
2	1	800 X 65 X 38		13	2	285 X 25 X 20	
3	1	800 X 65 X 38		14	1	920 X 72 X 25	
4	1	800 X 65 X 38		15	1	920 X 40 X 18	
5	2	855 X 80 X 20		16	1	920 X 72 X 25	
5a	2	855 X 80 X 20		17	1	920 X 40 X 18	
6	2	855 X 80 X 20		18	1	1944 X 35 X 10	
7	4	262 X 320 X 16		19	1	2000 X 140 X 20	
8	2	855 X 262 X 16		20	1	2000 X 140 X 20	
9	2	188 X 30 X 20		21	1	2000 X 80 X 20	
10	1	415 X 80 X 20		22	5	272 X 320 X 16	
11	1	415 X 80 X 20		23	13	900 X 63 X 18	
				24	14	900 X 63 X 18	

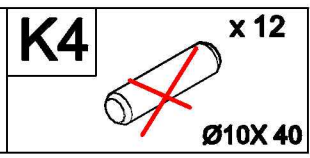
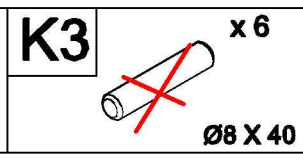
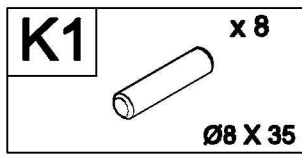
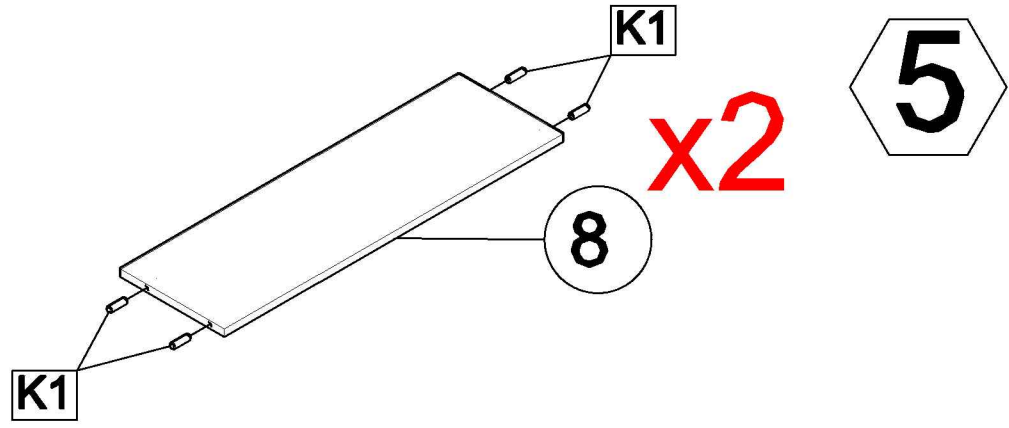
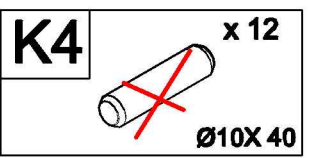
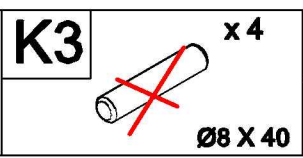
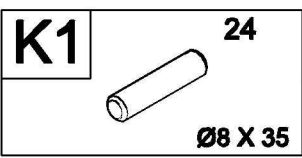
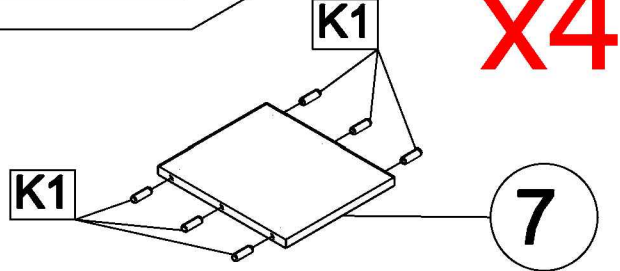
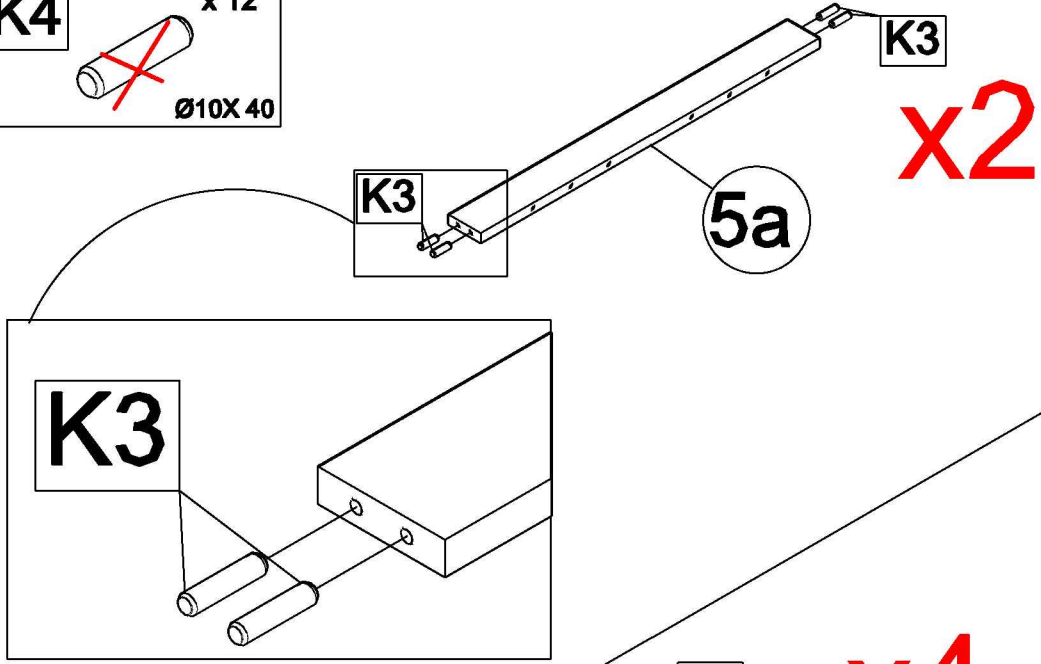
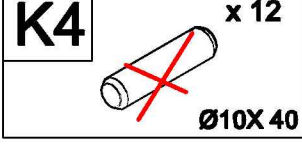


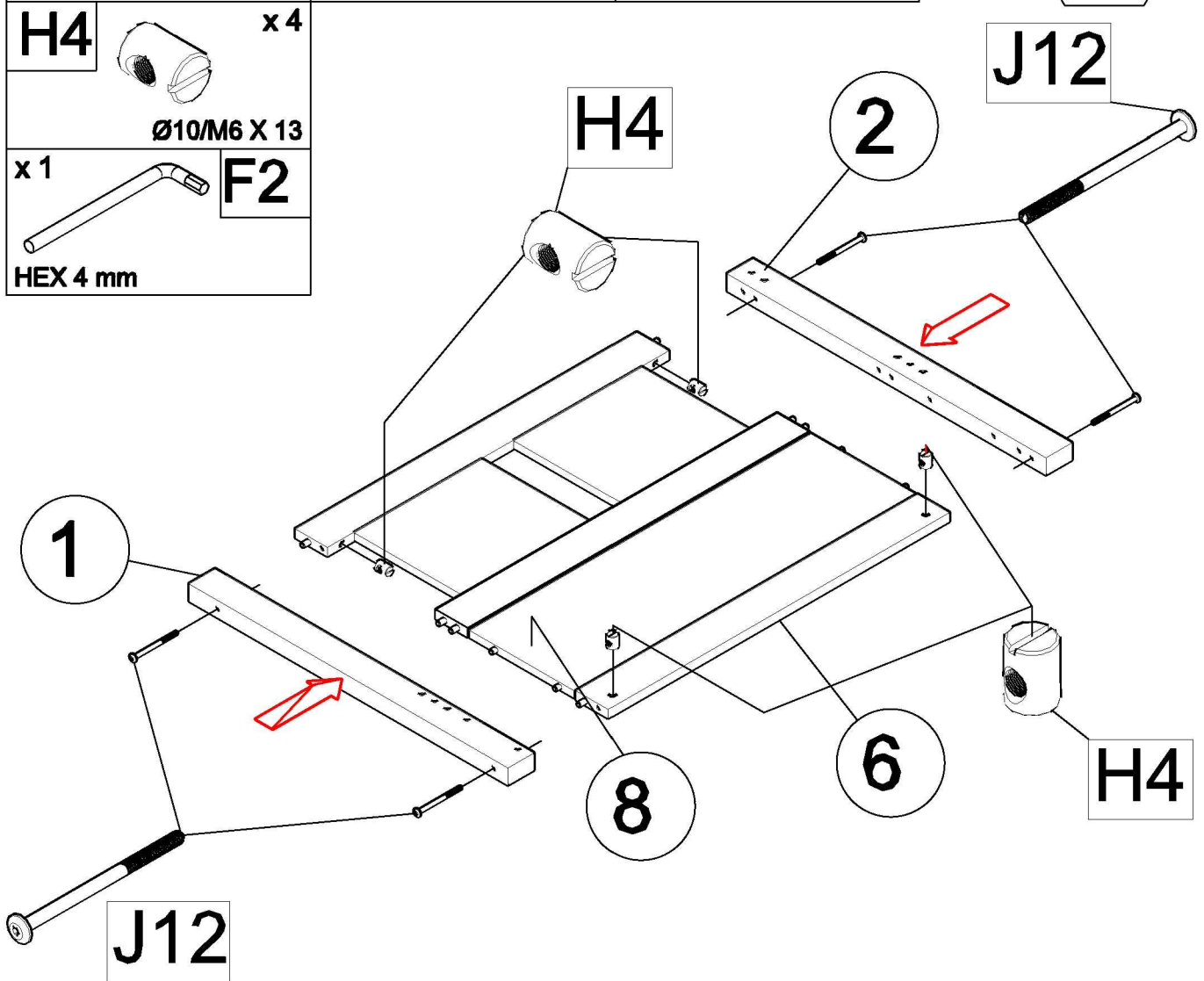
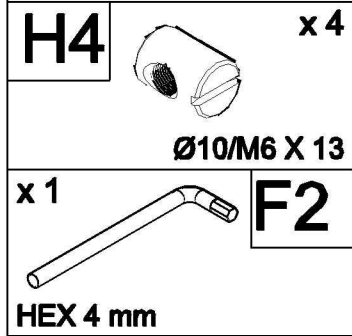
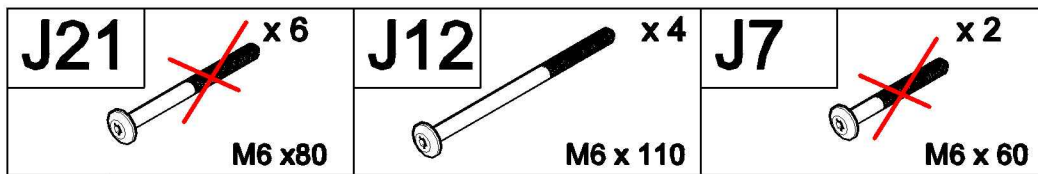
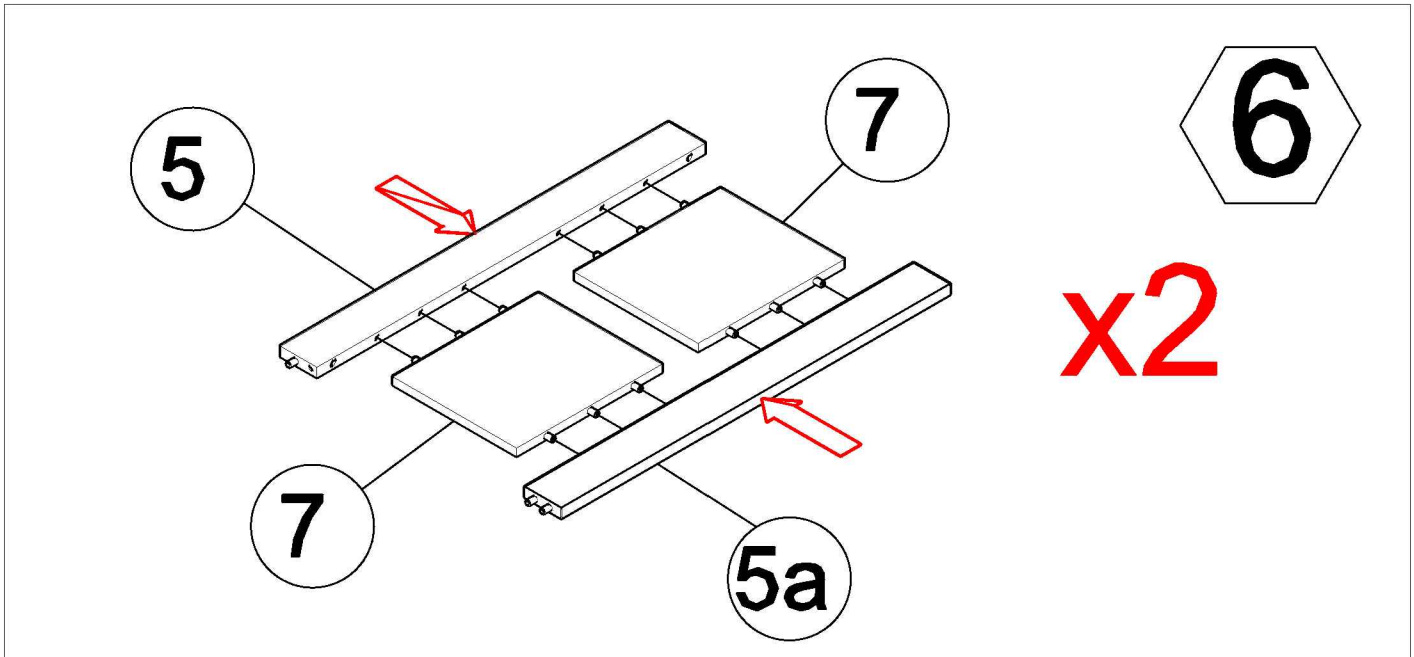
1





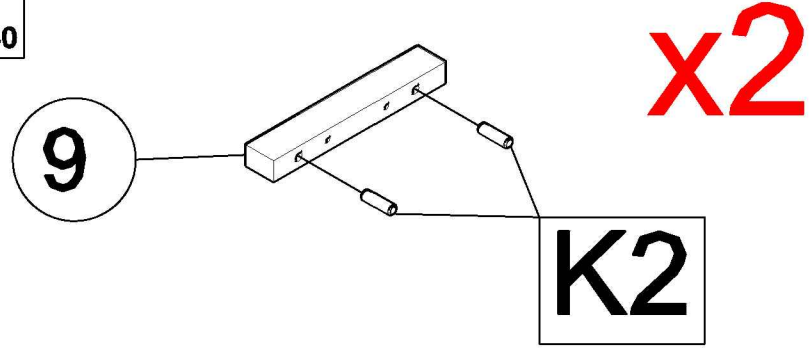
3





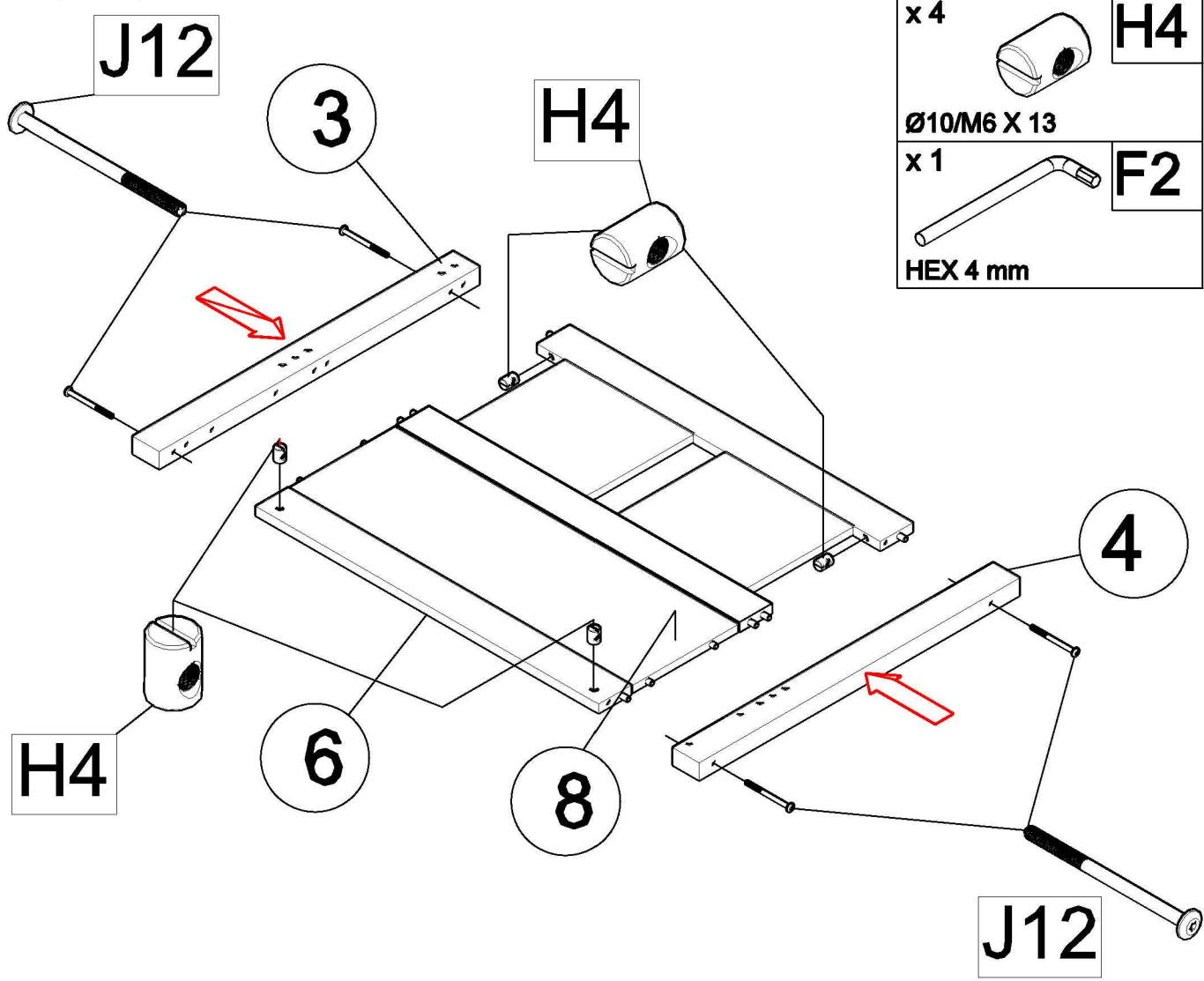
K1 x 46 Ø8 X 35	K2 x 4 Ø8 X 30	K3 x 8 Ø8 X 40
K4 x 12 Ø10X 40		

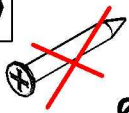
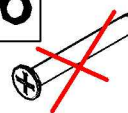
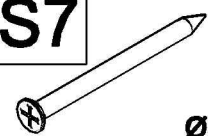
8



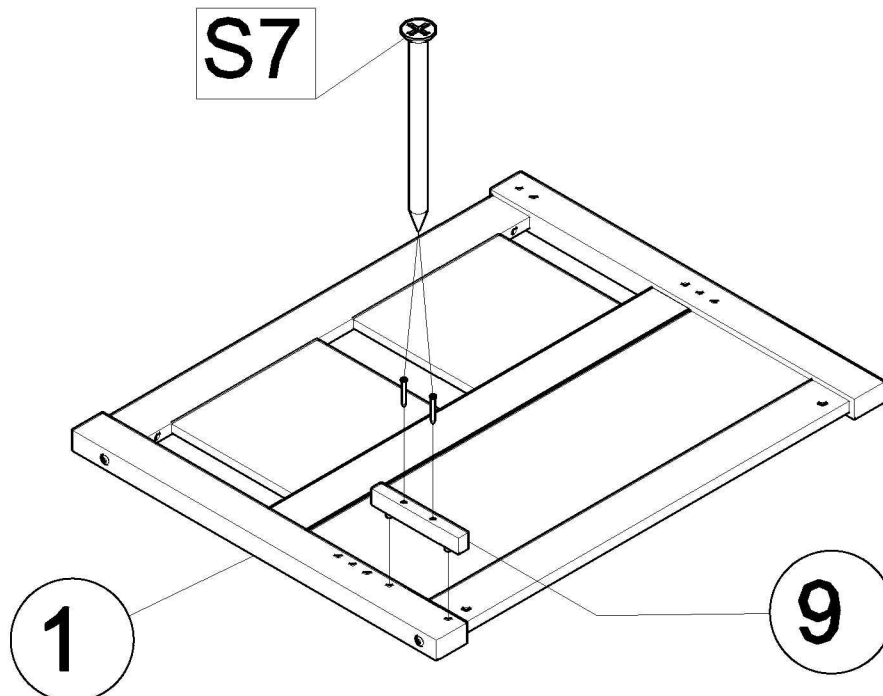
9

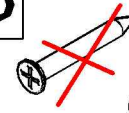
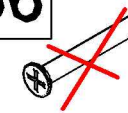
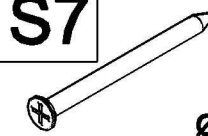
x 2 M6 x 60	J7 x 4	J12 M6 x 110	x 6 M6 x 80	J21
----------------	------------------	------------------------	----------------	------------



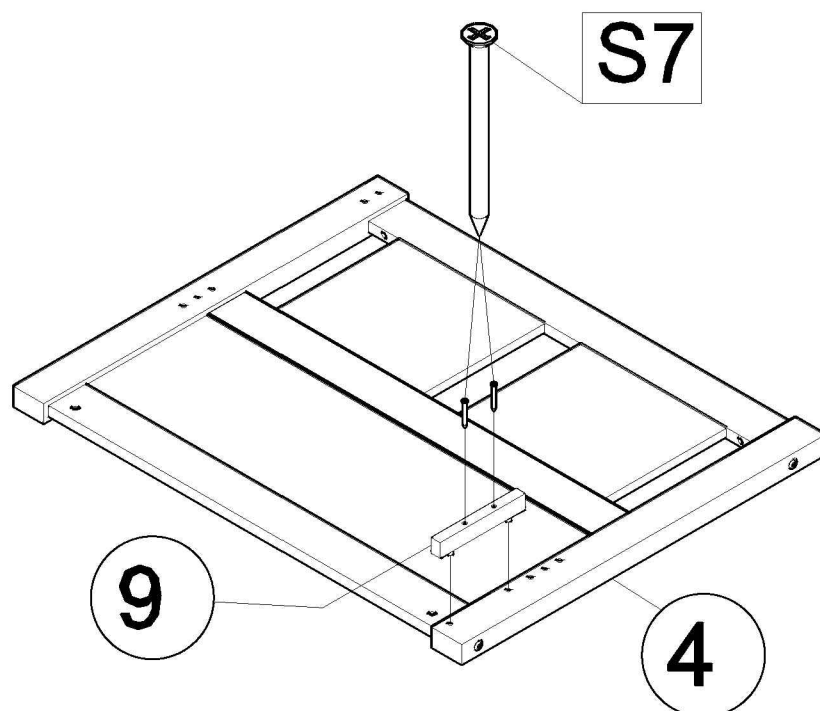
S5	x 45	S6	x 6	S7	x 2
					
Ø3,5 X 30		Ø3,5 X 35		Ø3,5 X 50	

10



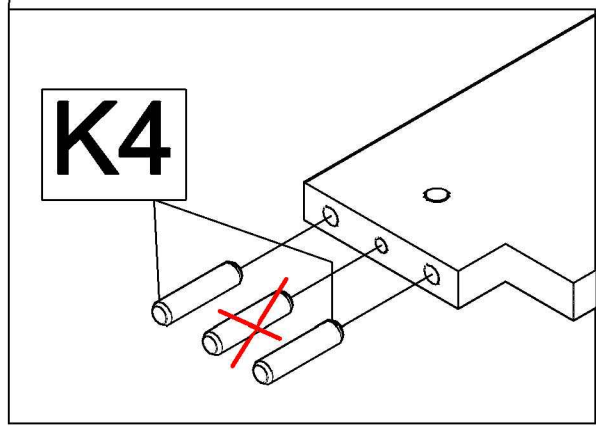
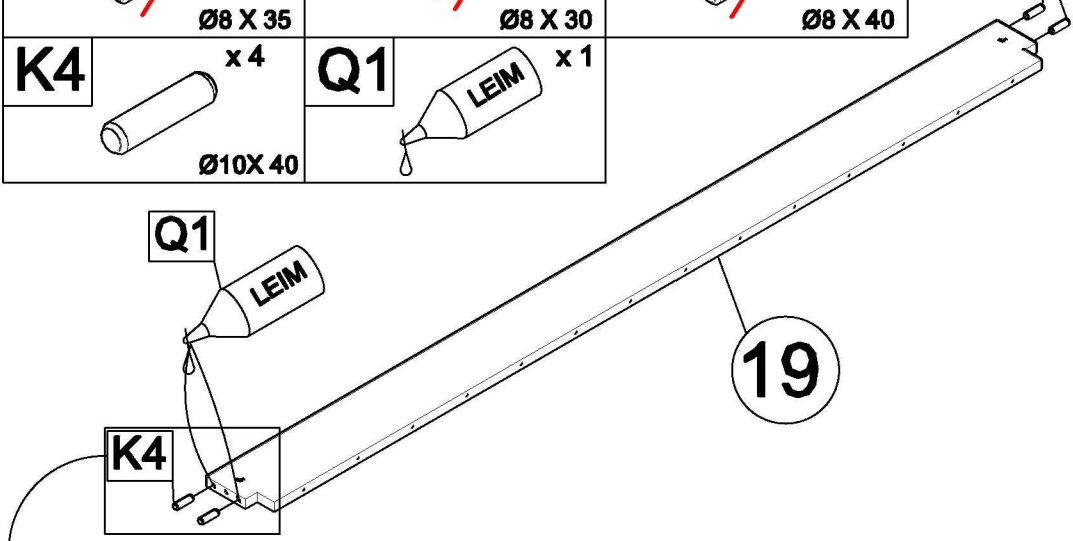
S5	x 45	S6	x 6	S7	x 2
					
Ø3,5 X 30		Ø3,5 X 35		Ø3,5 X 50	

11

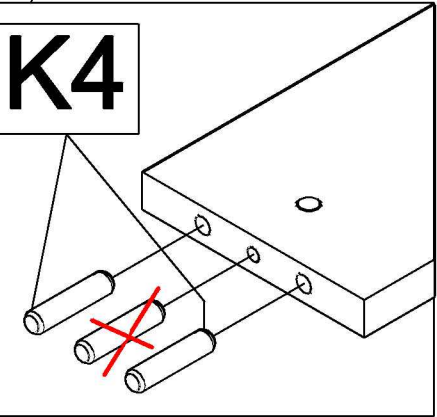
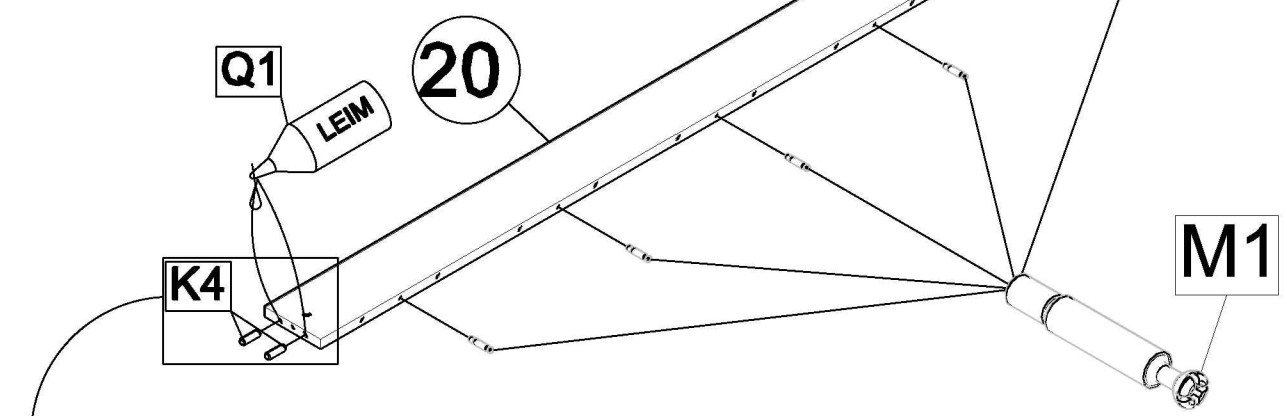


12






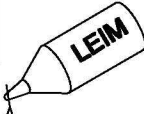
K1 x 46 Ø8 X 35	K2 x 8 Ø8 X 30	K3 x 8 Ø8 X 40
K4 x 4 Ø10X 40	Q1 LEIM x 1	



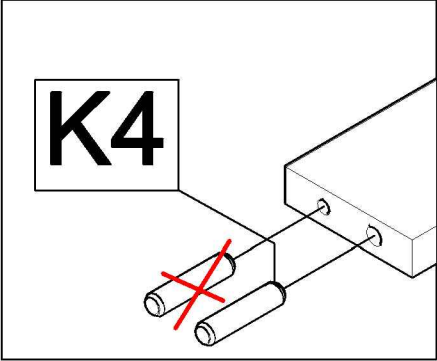
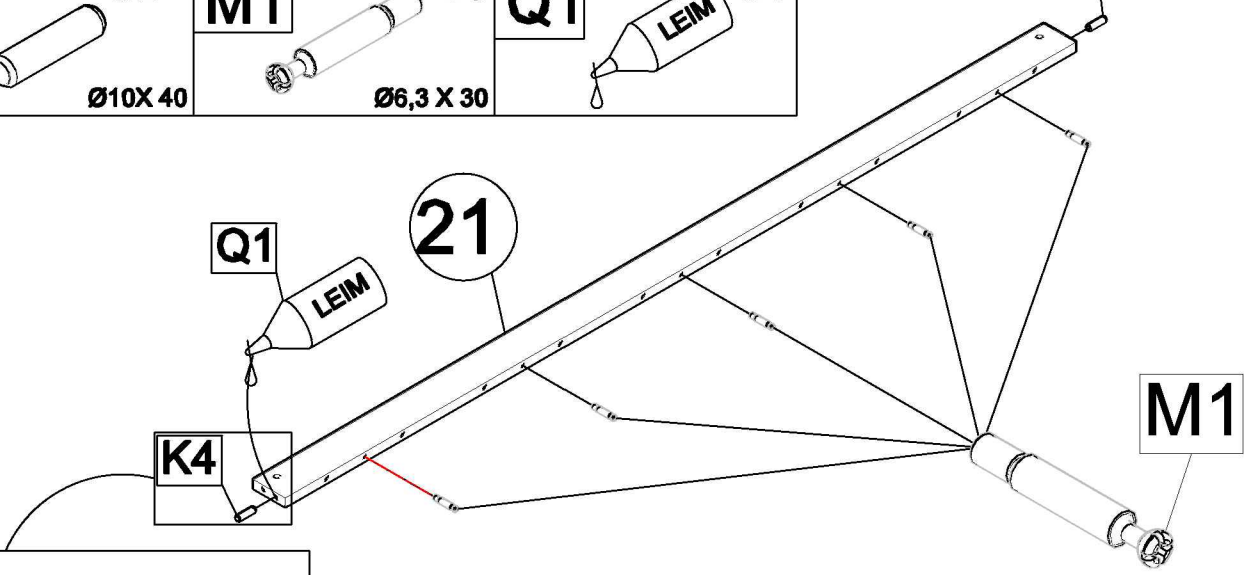
13



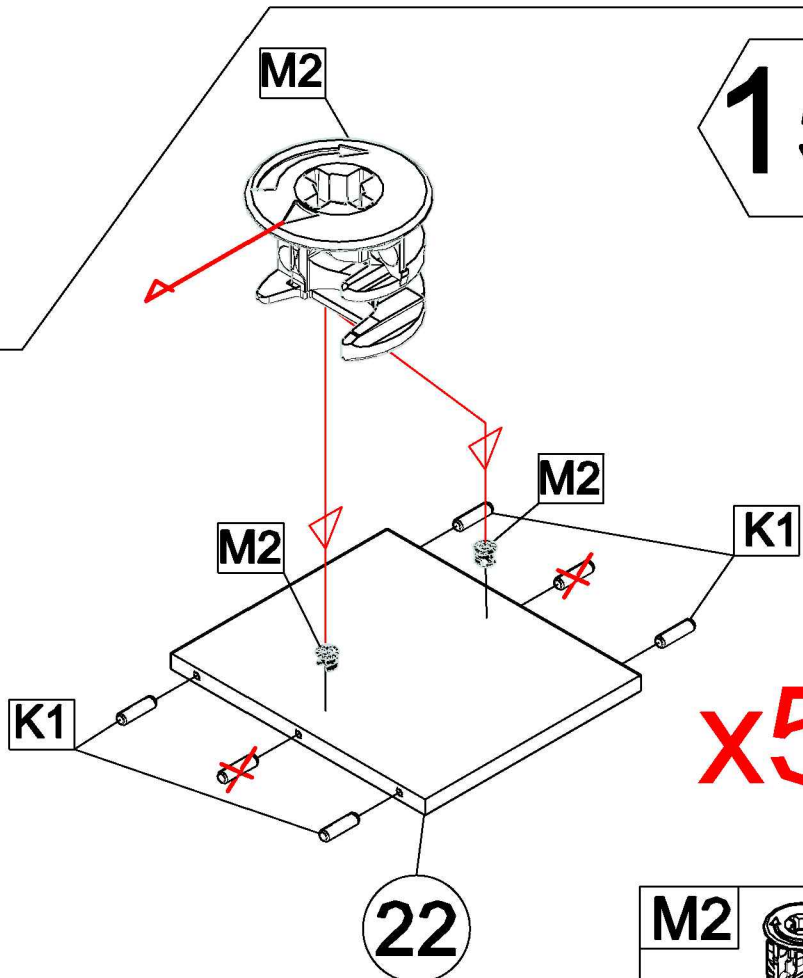
Q1 LEIM x 1	M1 x 5 Ø6,3 X 30	K4 x 4 Ø10X 40
K1 x 46 Ø8 X 35	K2 x 8 Ø8 X 30	K3 x 8 Ø8 X 40

K1	 x 46	K2	 x 8	K3	 x 8
K4	 x 2	M1	 x 5	Q1	 x 1

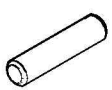



14



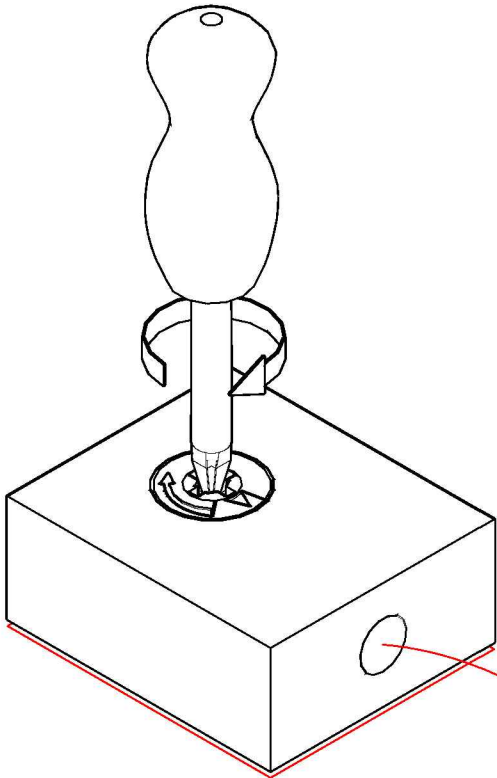
15



M2	 x 10
	Ø15

K1	 20	K2	 x 8	K3	 x 4	K4	 x 12
	Ø8 X 35		Ø8 X 30		Ø8 X 40		Ø10 X 40

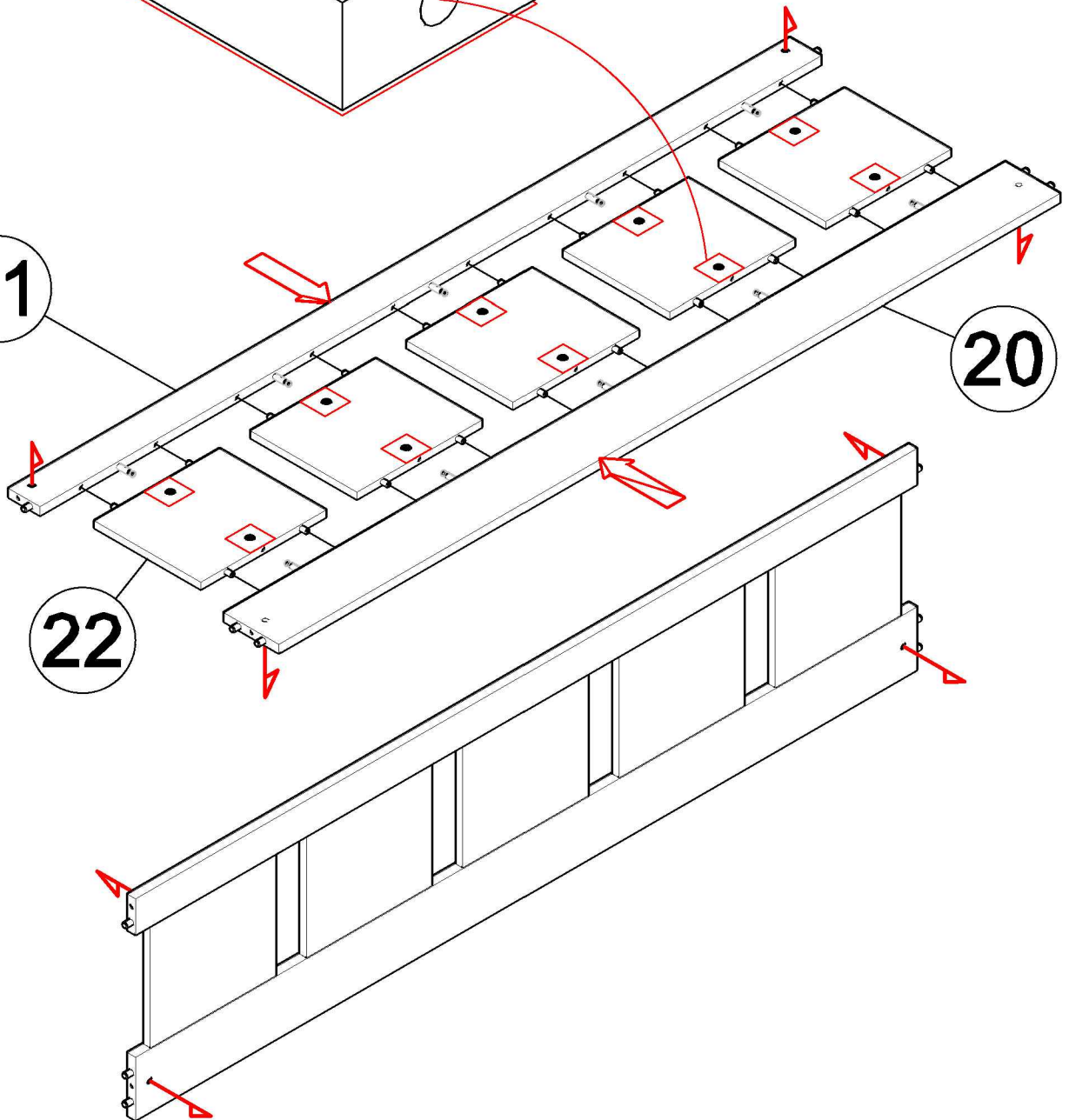
16



21

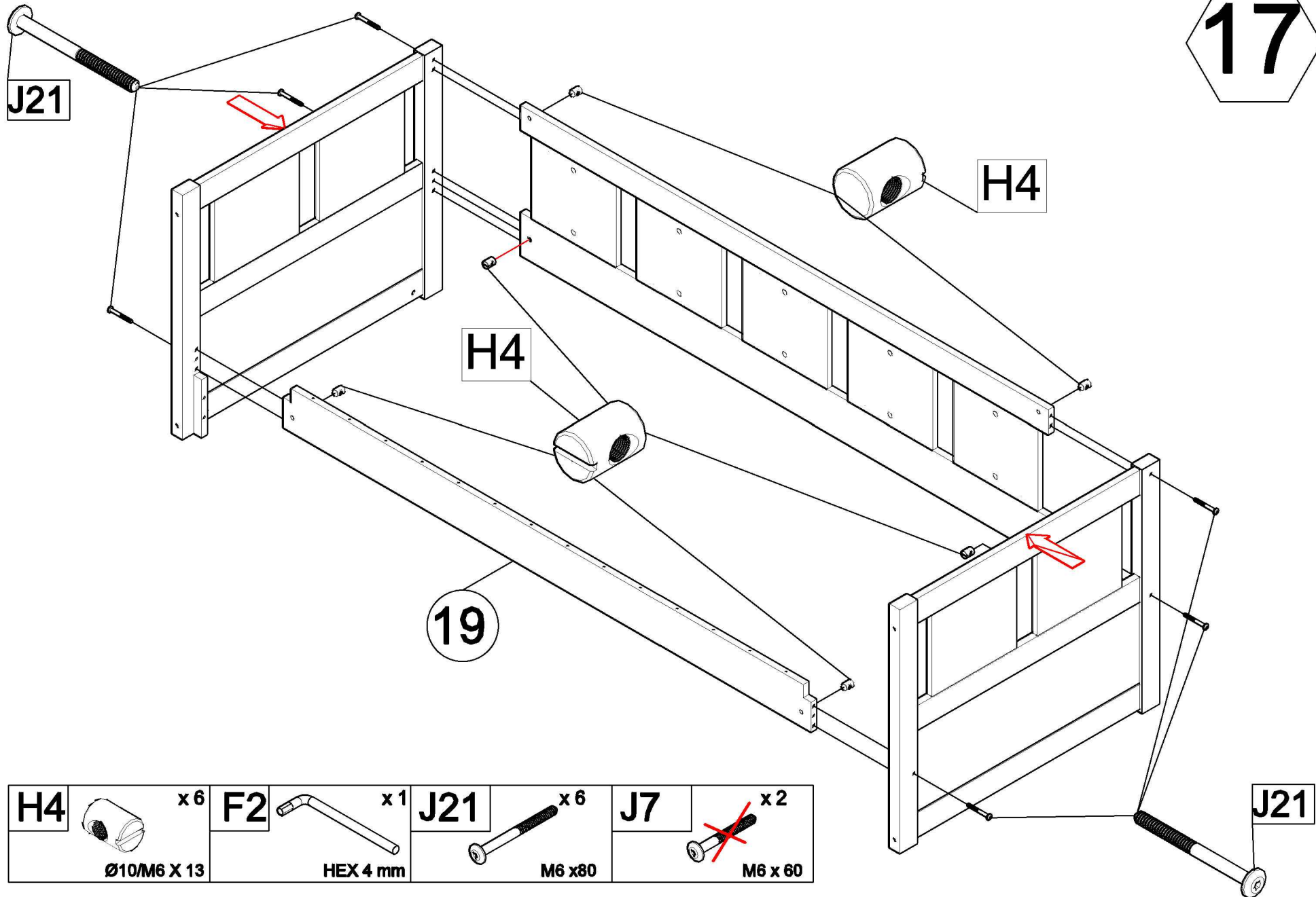
20

22



17

13/26



18

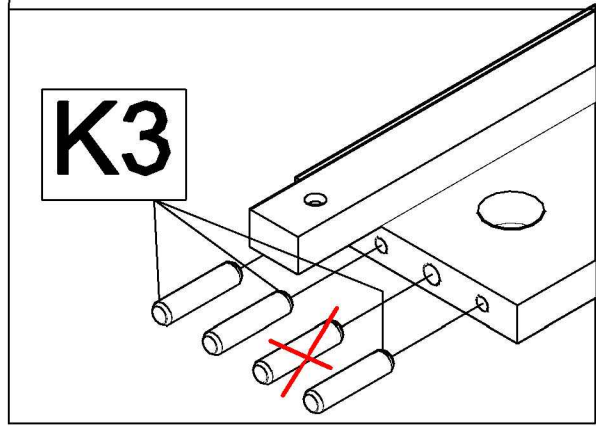
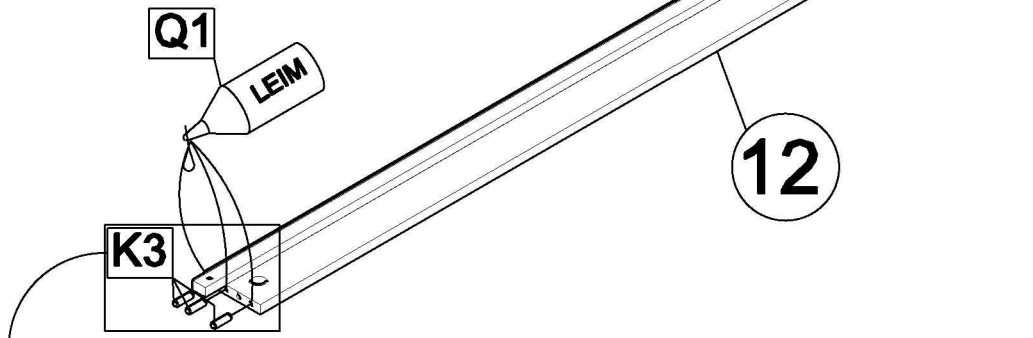
K1 x 46
Ø8 X 35

K2 x 8
Ø8 X 30

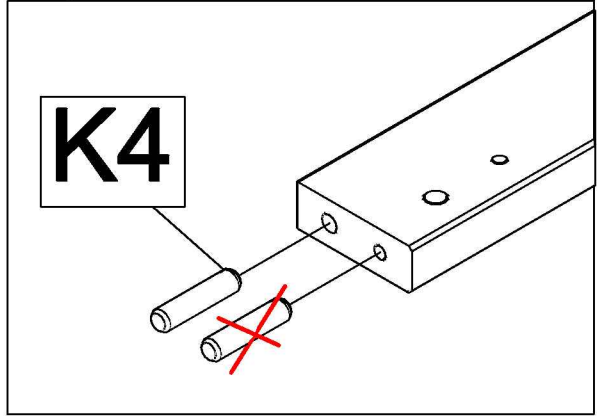
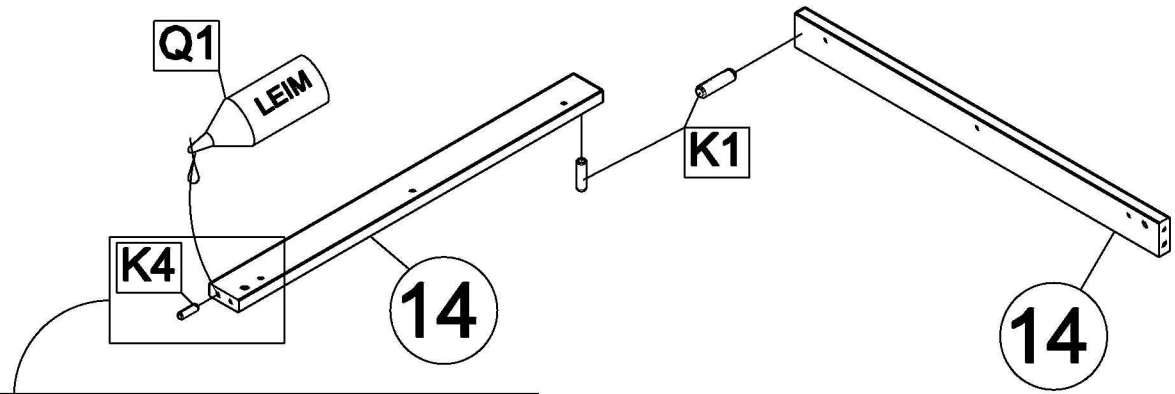
K3 x 6
Ø8 X 40

K4 x 4
Ø10X 40

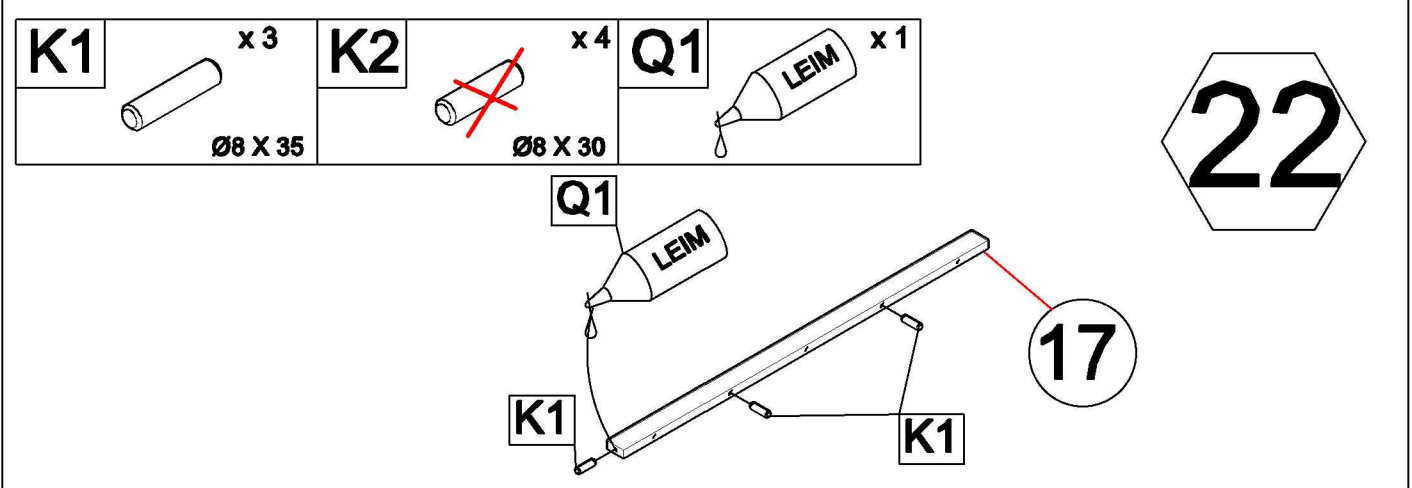
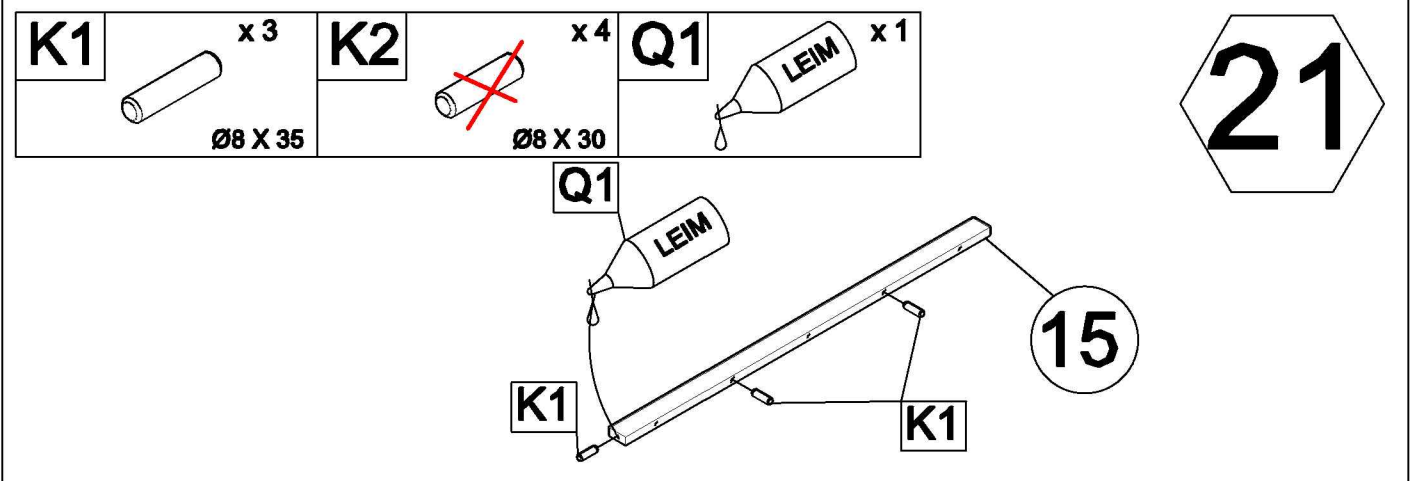
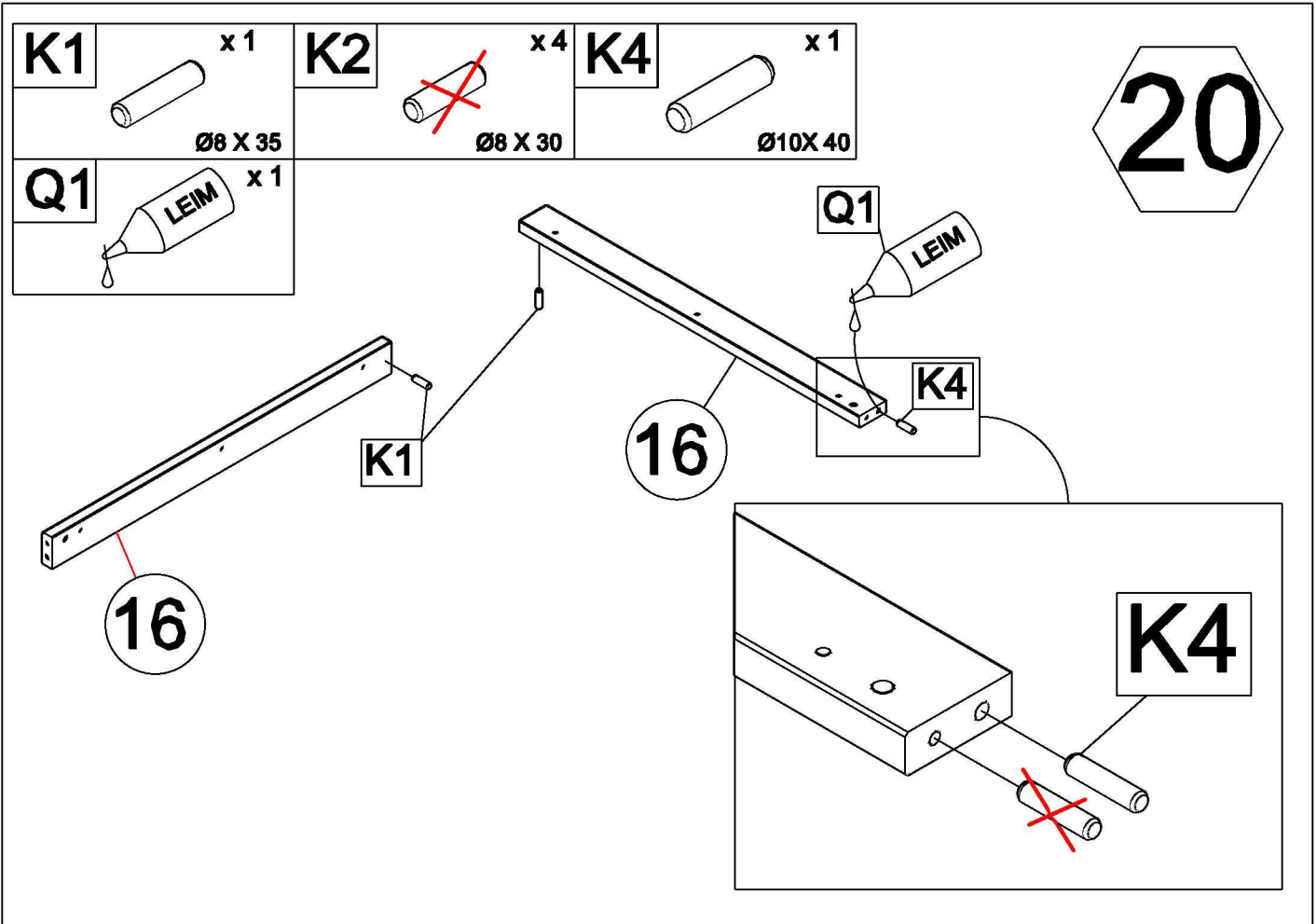
Q1 x 1
LEIM

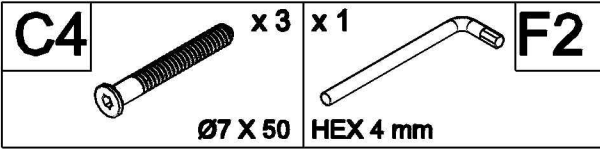


19

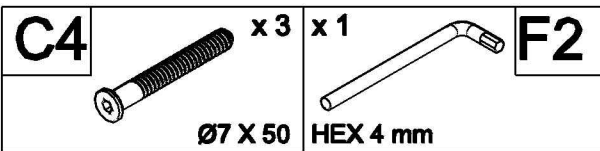
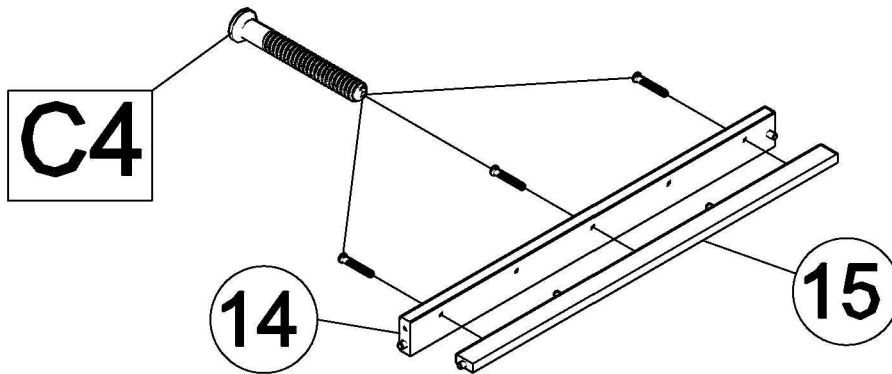


Q1 x 1 LEIM	K4 x 1 Ø10X 40
K1 x 1 Ø8 X 35	K2 x 4 Ø8 X 30

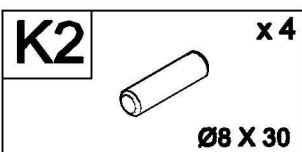
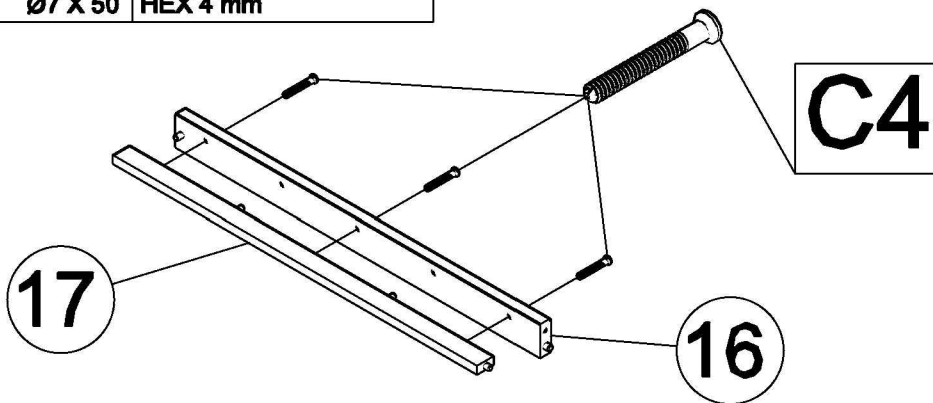




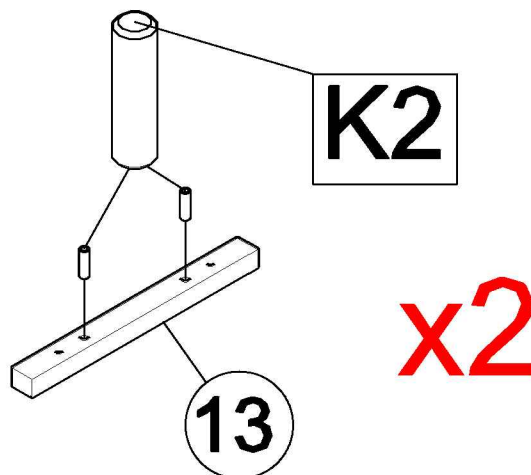
23

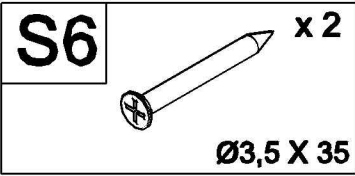


24

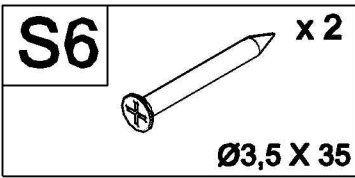
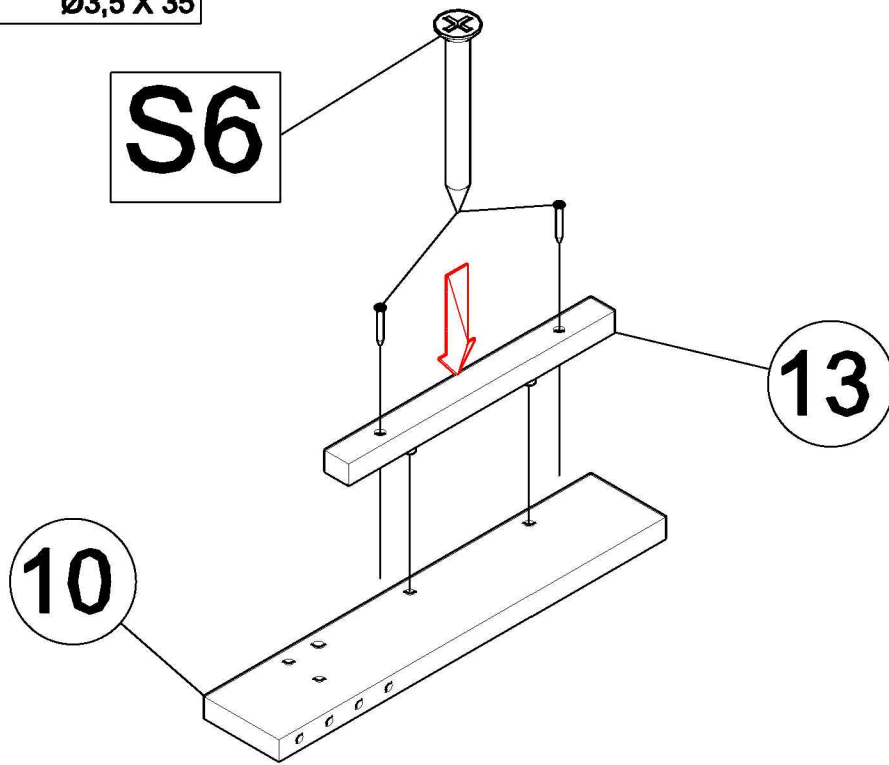


25

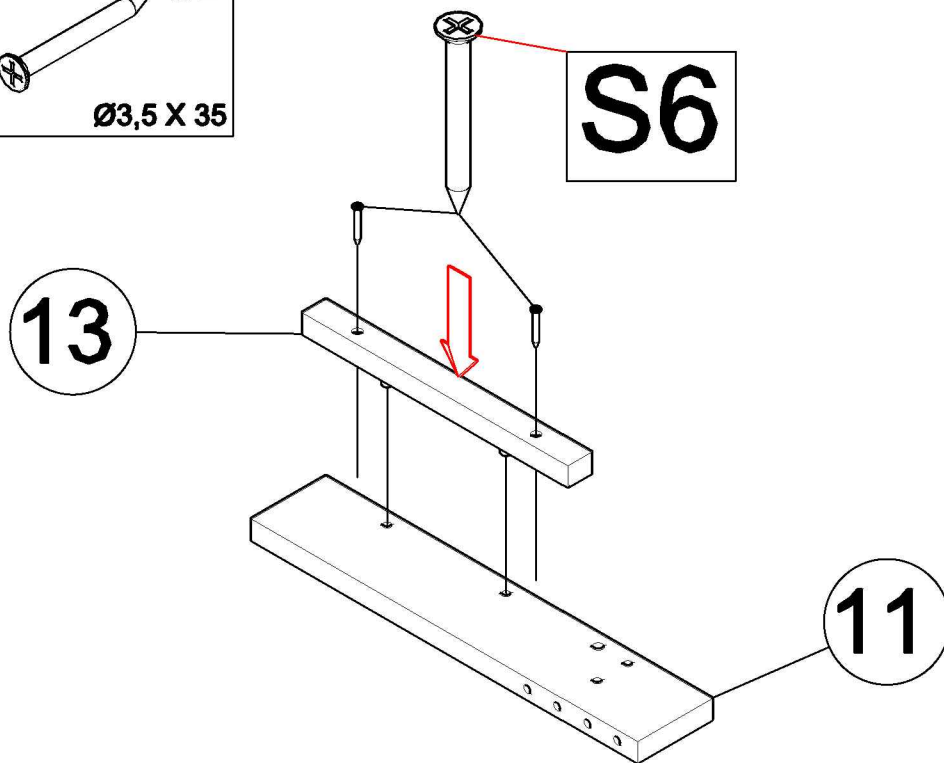




26



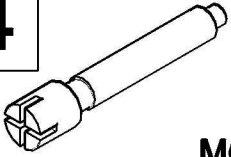
27



28

J4

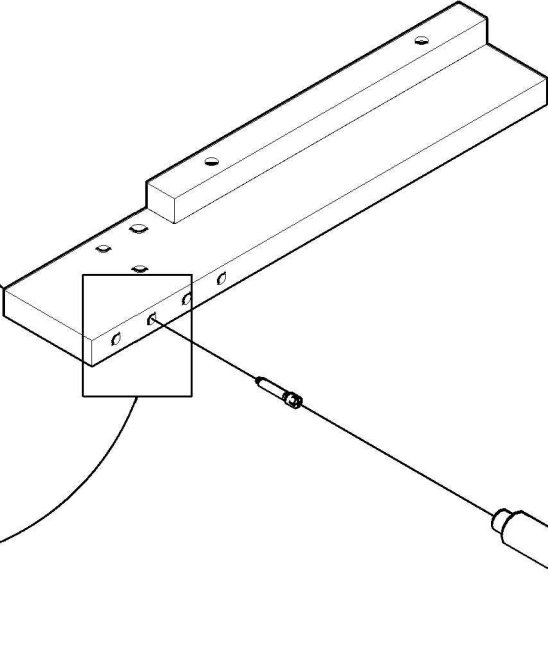
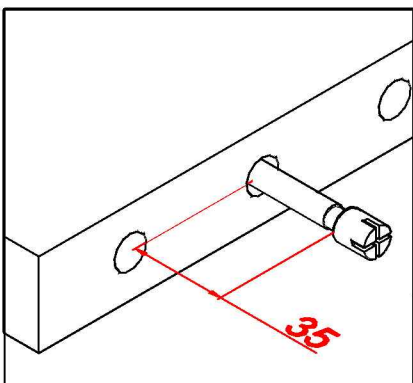
x 1



M6 X 50

10

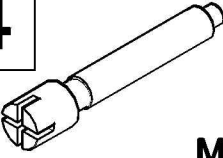
J4



29

J4

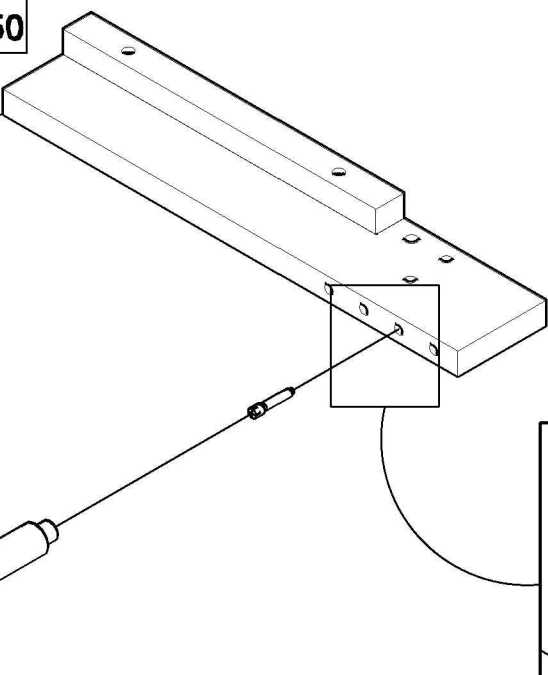
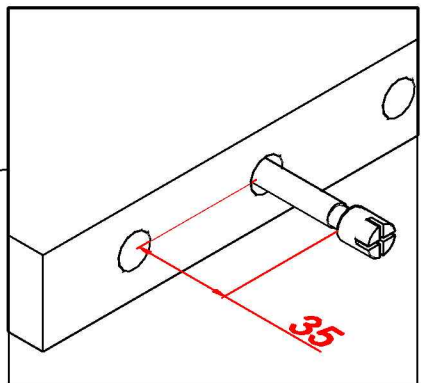
x 1


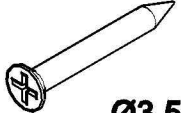


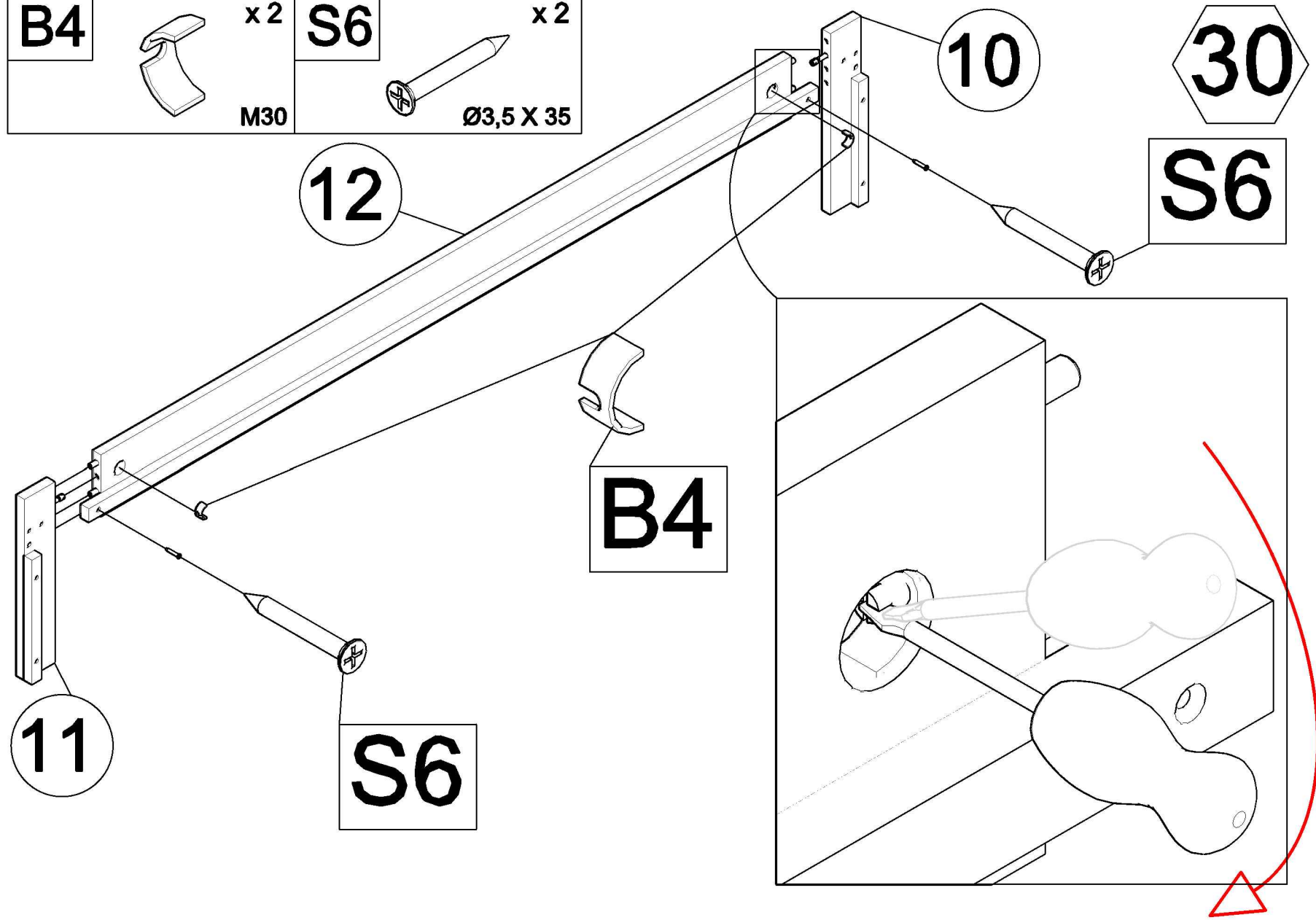
M6 X 50

11

J4



B4		x 2	S6		x 2
		M30		Ø3,5 X 35	



12

10

30

S6

B4

11

S6

J7



M6 X 60

H4



Ø10/M6 X 13



x 1

F2

S5



x 14

Ø3,5 X 30

S5

24

x14

31

10

10

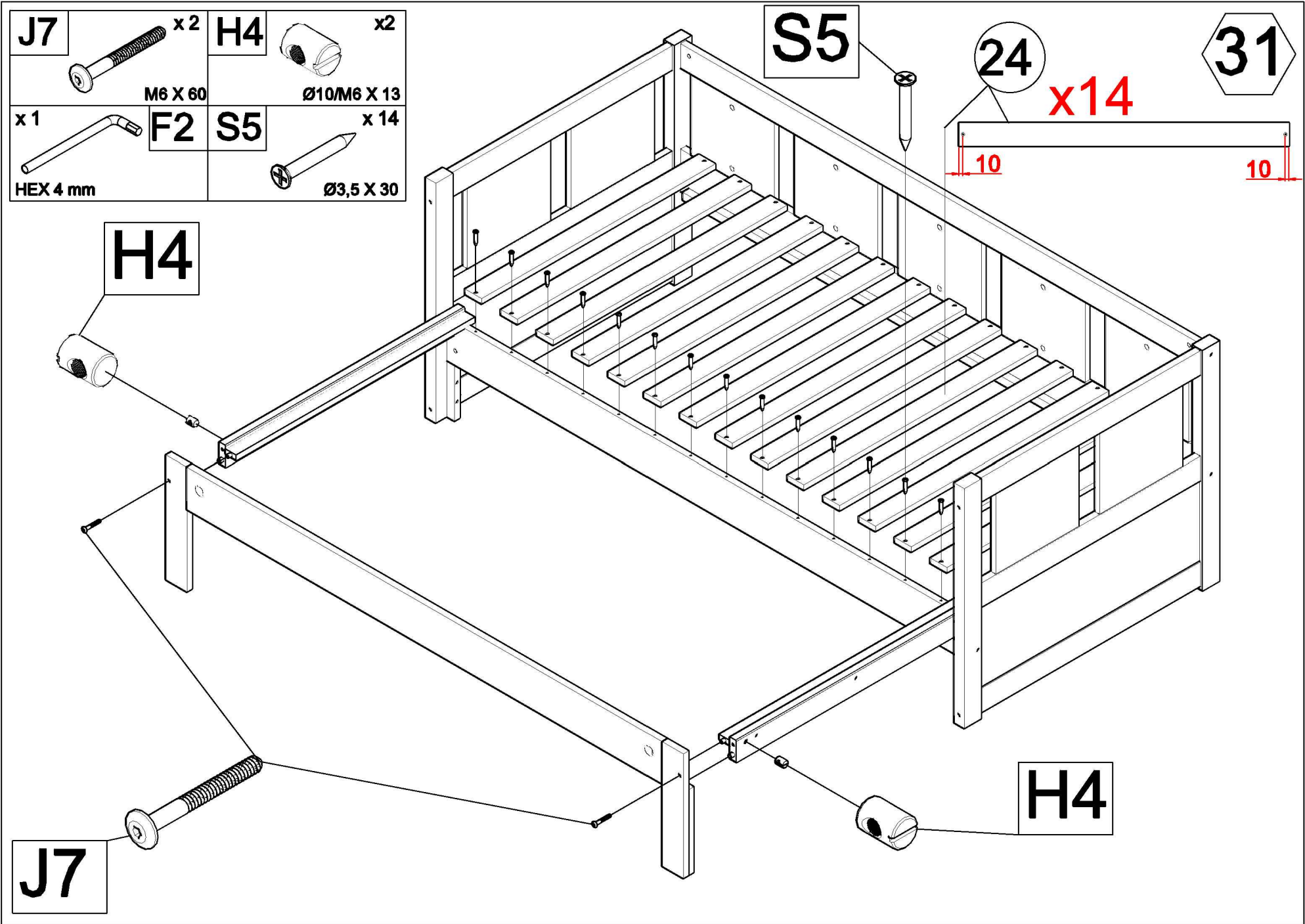
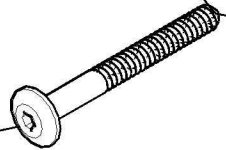
H4



20/26

H4

J7



S20

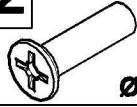
x 2



Ø3,5 X 20

E2

x 13



Ø6,3 X 24

32

S20

E2

S20

23

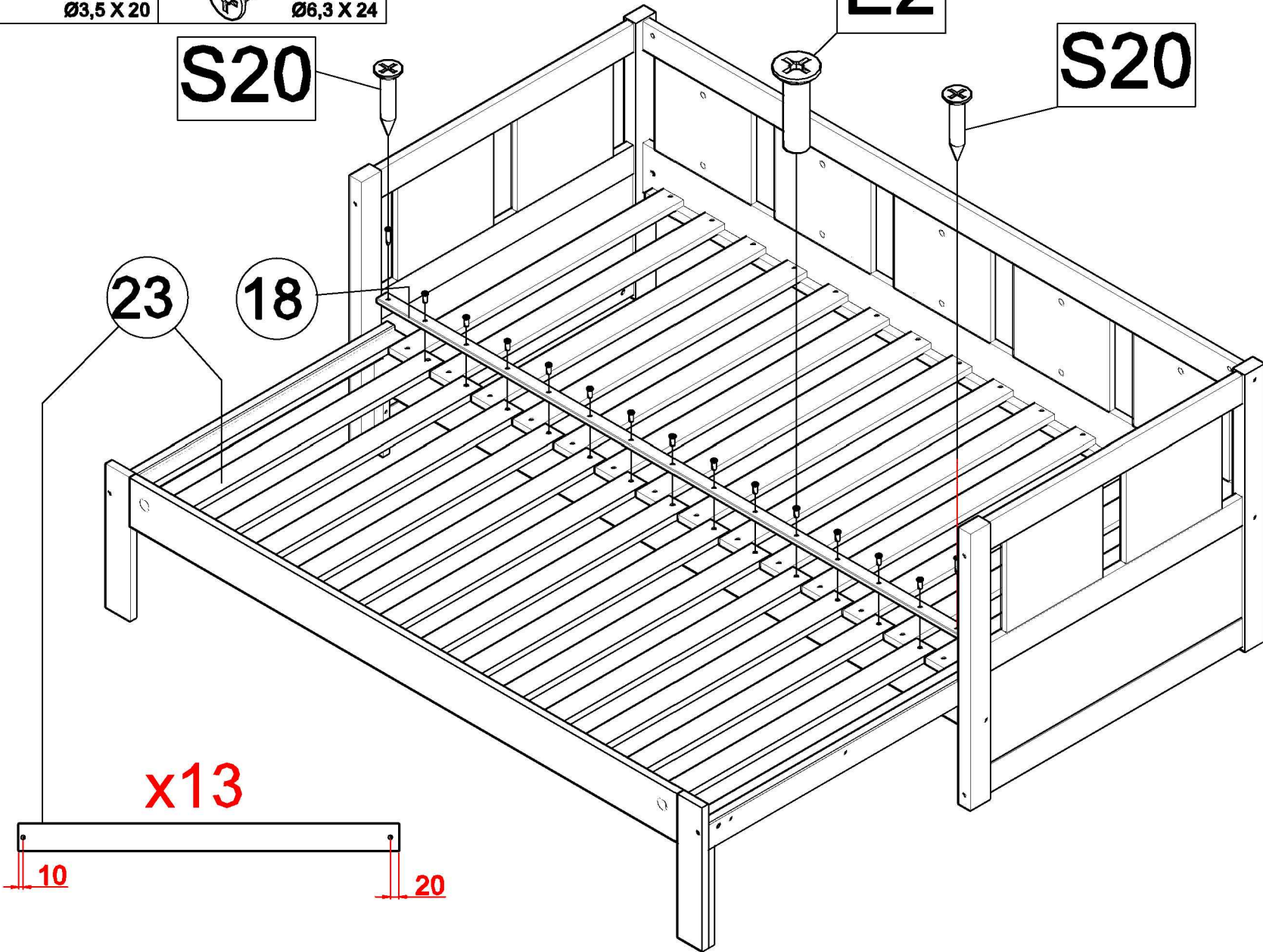
18

21/26

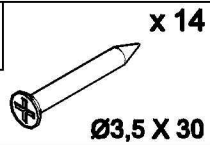
x13

10

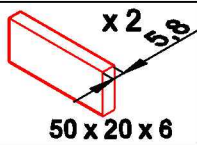
20



S5

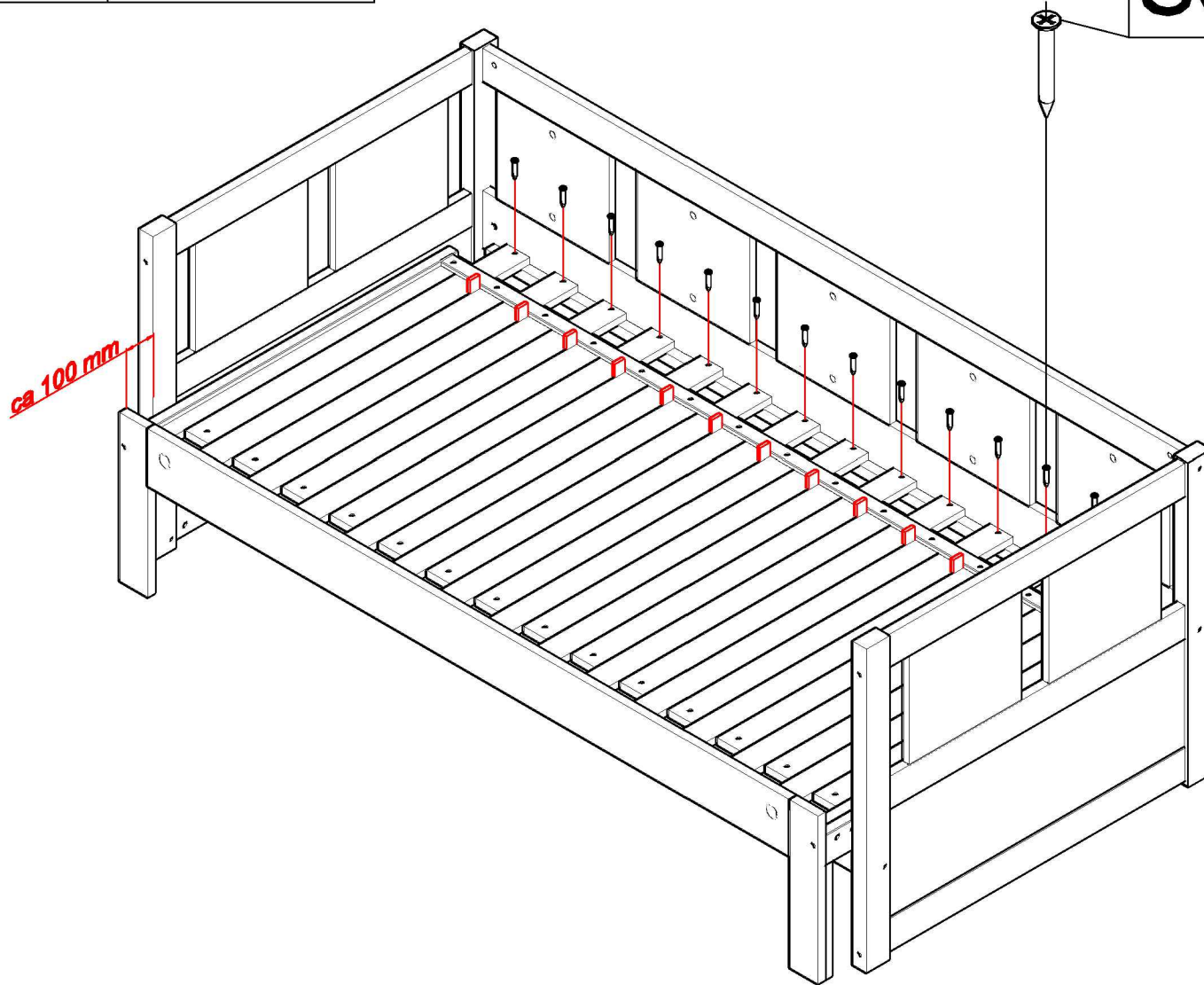


X1



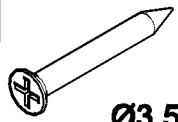
33

S5



22/26

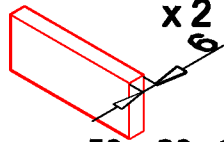
S5



x 13

Ø3,5 X 30

X1

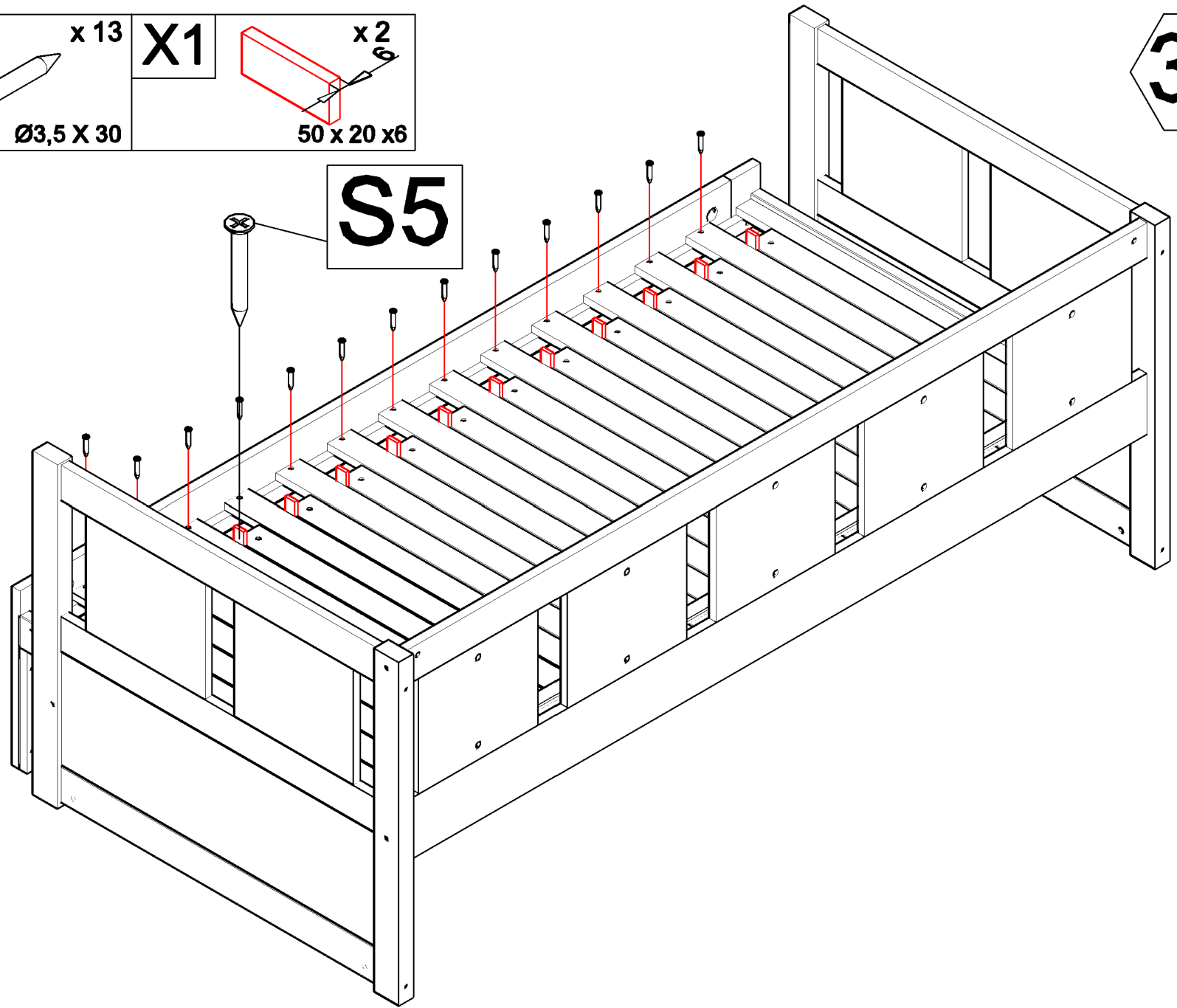


x 2

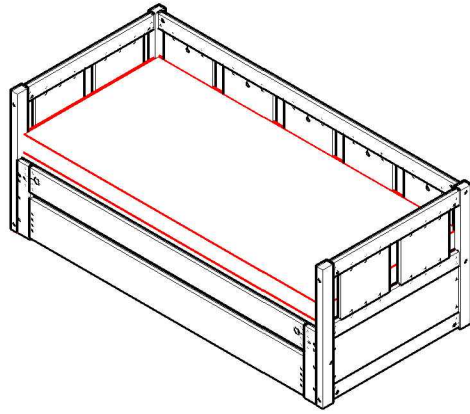
50 x 20 x 6

34

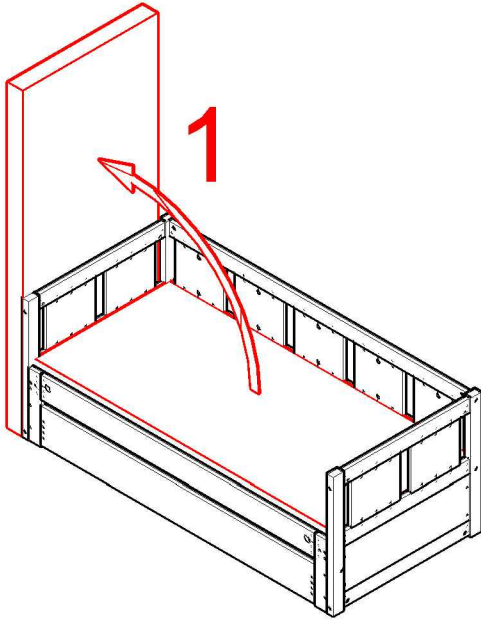
S5



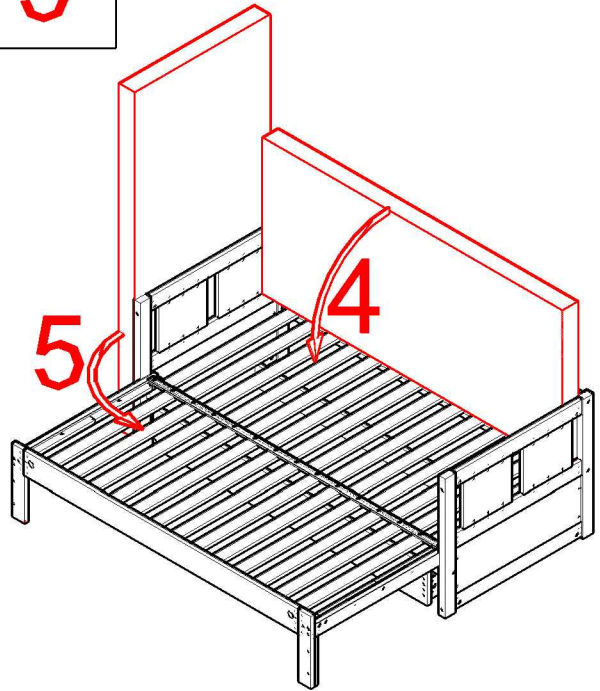
23/26



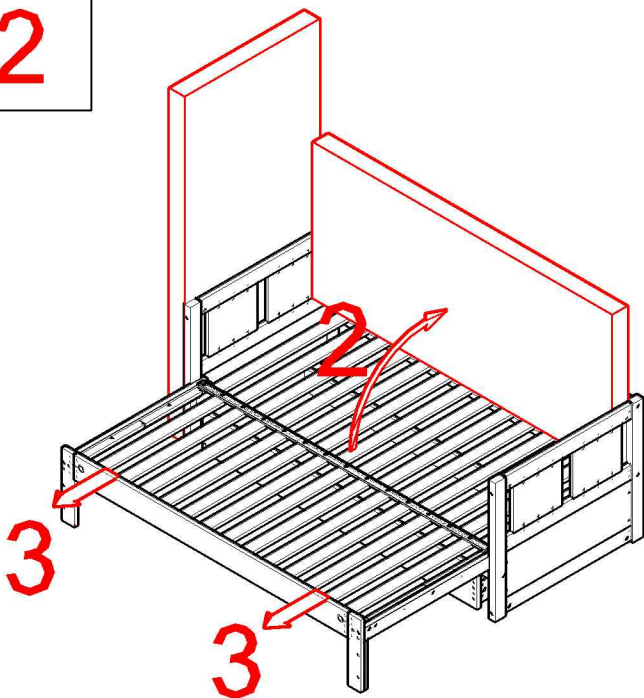
1



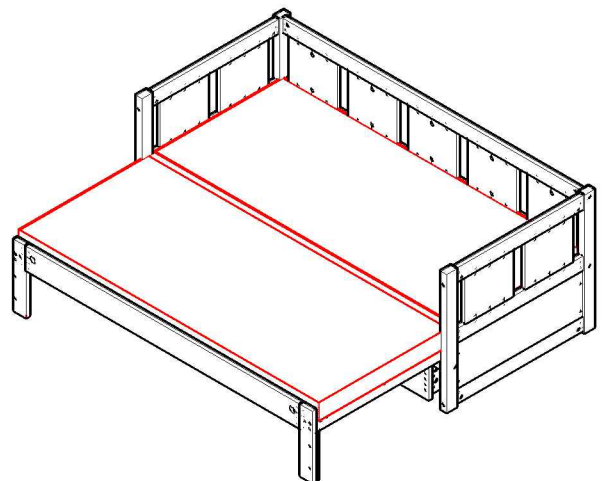
3

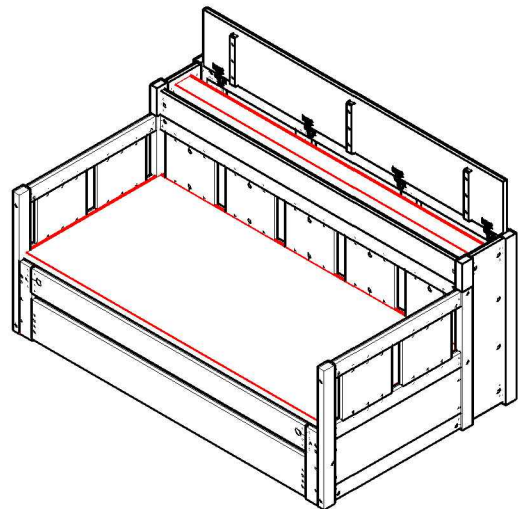


2

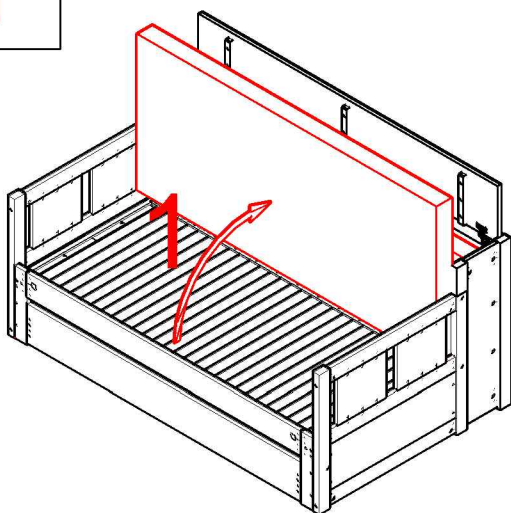


4

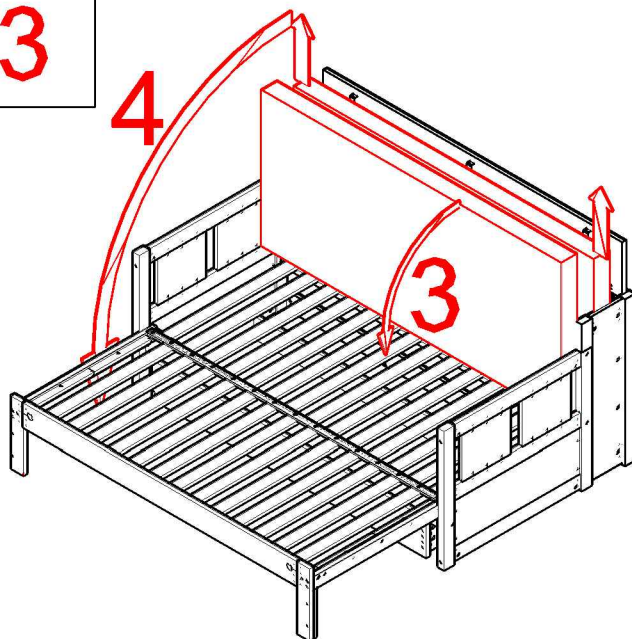




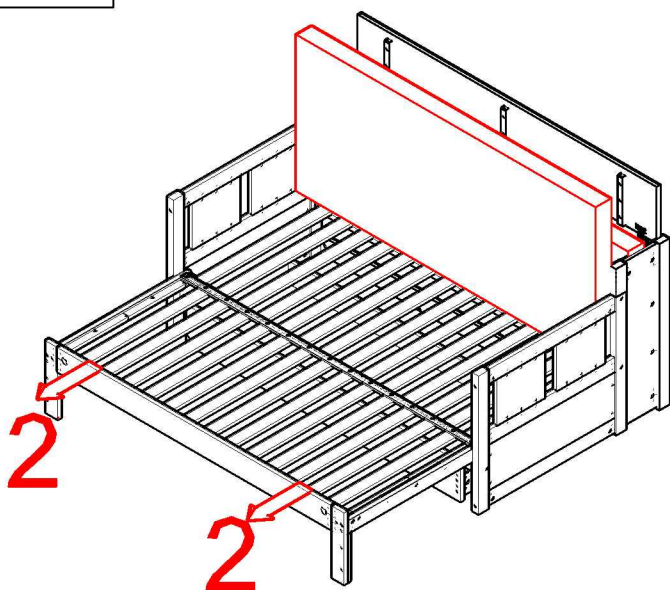
1



3



2



4

